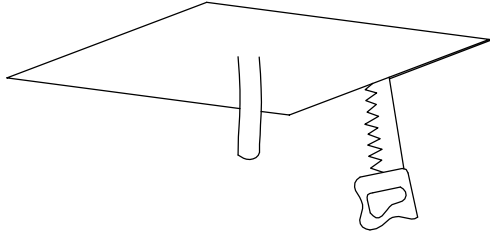
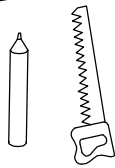


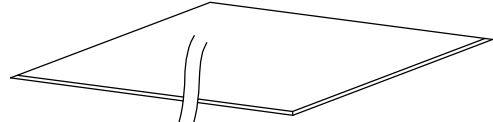
STEP 1



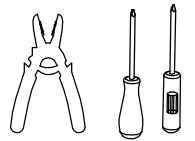
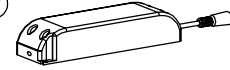
Model	Cutout size
625x625	605x605mm
325x1225	305x1205mm
625x1225	605x1205mm



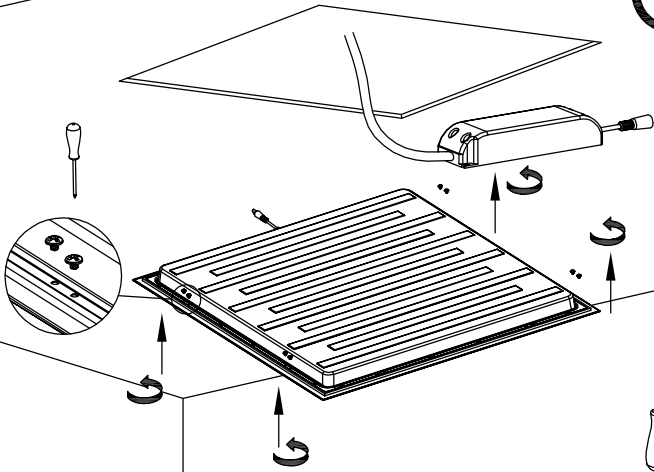
STEP 2



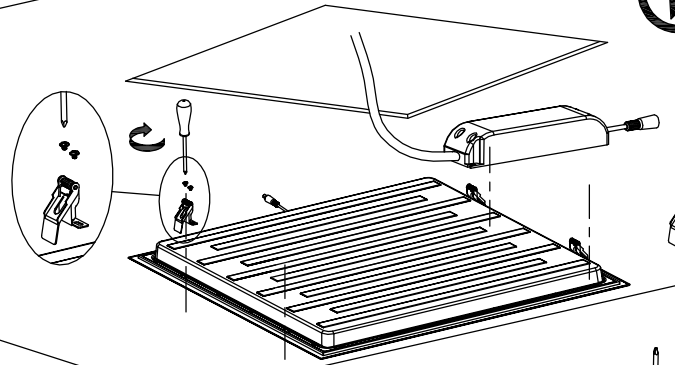
AC-L AC-N
200-240VAC



STEP 3



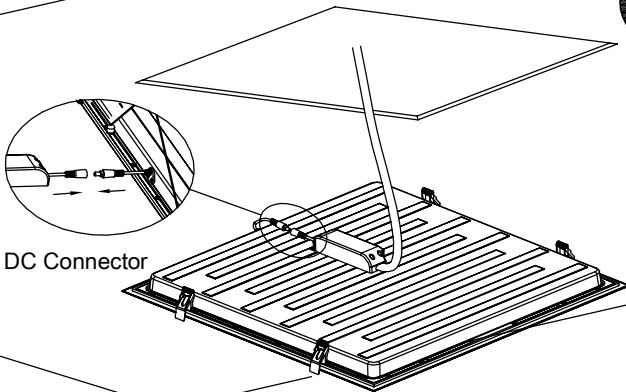
STEP 4



Model	Clip Qty
625625	4 PCS
3251225	6 PCS
6251225	6 PCS



STEP 5



DC Connector

STEP 6

