

TRITA LED Linear Track Light

The Cyanlite TRITA P01&P02 series is a brand-new linear lighting system, which is totally different from the traditional trunking system light. The P01&P02 adopts European standard 3 circuit commercial track rail instead of trunking rail.

High-quality and particularly energy-efficient light ensures attractive general lighting and routing in the shop - and at the same time enables flexible accentuation of the goods in combination with spotlights. With a large variety of variants, P01&P02 offers enormous planning scope to implement the various lighting requirements in the Shop & Retail area. The light is available as a classic version for a 3- phase track.



Product Family

P01 Track Panel



P02 Track Linear



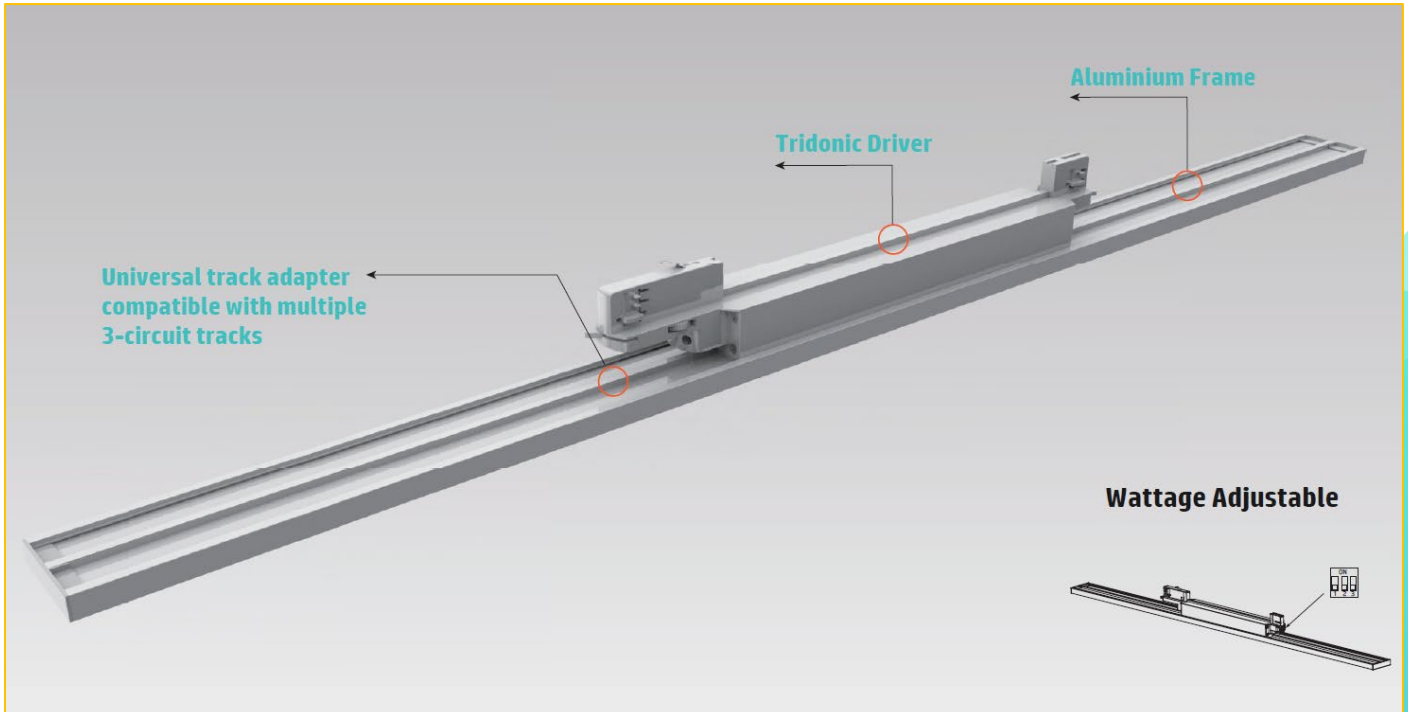
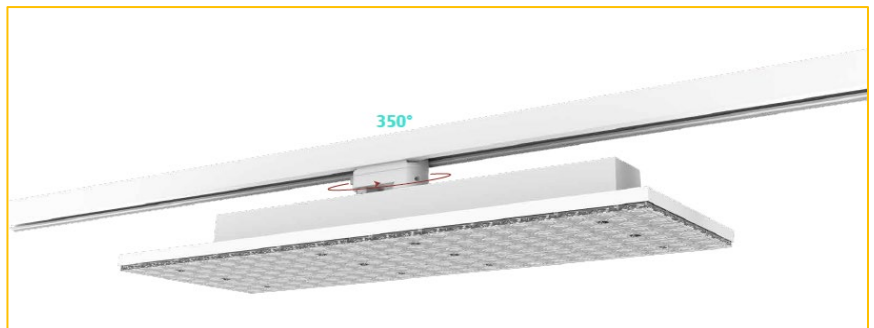
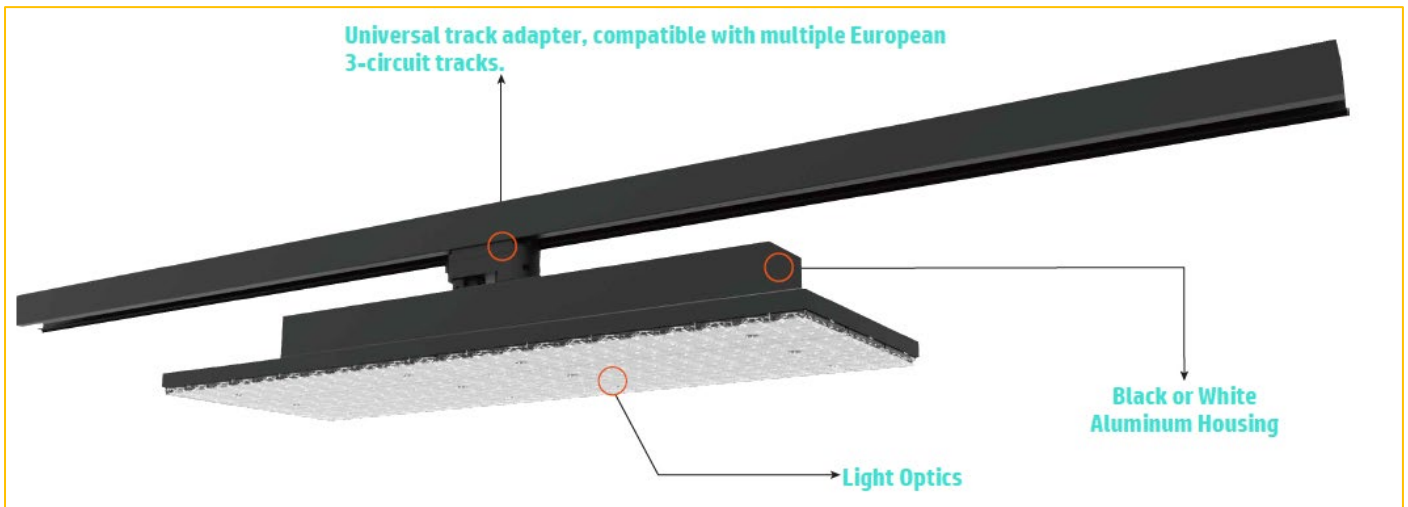
Features

- HIGHER FLEXIBILITY FOR MAXIMUM ATMOSPHERE
- VERSATILE HIGH ADAPTABILITY FOR PLANNING FREE SPACES
- EASY TO INSTALL, REDUCING TIME, LABOR, AND COMPLEXITY.
- HIGH QUALITY AND EFFICIENT, 5 YEARS WARRANTY

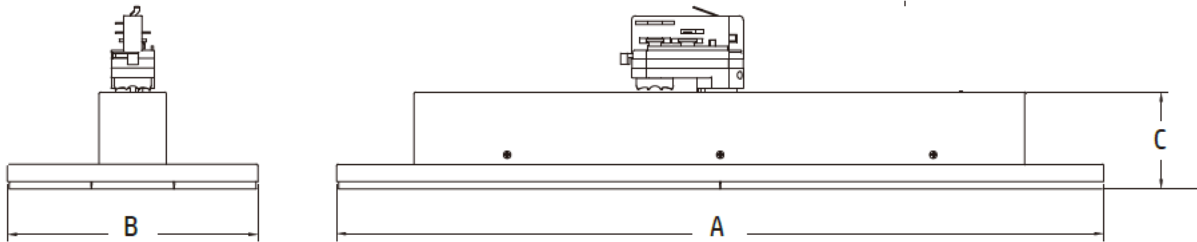
Applications

- Supermarkets
- Shops
- Retail
- Showrooms
- Shopping Malls
- Exhibitions
- Stores





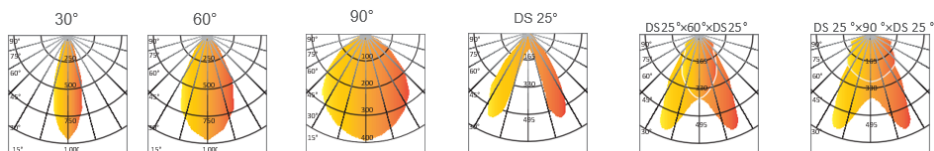
Dimension



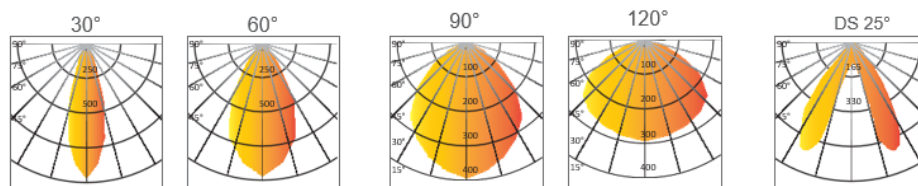
Model	Length (mm) A	Width (mm) B	Height (mm) C
TRITA P01 Track Panel – P170W060	578	189	76
TRITA P02 Track Linear – P225W060	578	65	73
TRITA P02 Track Linear – P248W120	1152	65	73
TRITA P02 Track Linear – P260W150	1438	65	73

Light Distribution

P01





P02

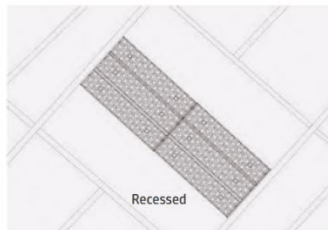
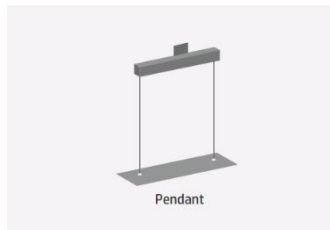
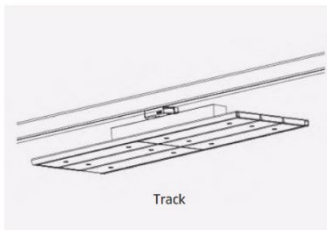


Ordering Code





Item	Model NO.	Watt		Luminous Efficacy		EEC	L* W* H (mm)
1	P170W060-SP	70W/64W/57W/50W	MAX 11000	150 LM/W	30°	A++	578 x 189 x 76
2	P170W060-NR	70W/64W/57W/50W	MAX 11000	150 LM/W	60°	A++	578 x 189 x 76
3	P170W060-WD	70W/64W/57W/50W	MAX 11000	150 LM/W	90°	A++	578 x 189 x 76
4	P170W060-01	70W/64W/57W/50W	MAX 11000	150 LM/W	DS25° x 60° x 25°	A++	578 x 189 x 76
5	P170W060-03	70W/64W/57W/50W	MAX 11000	150 LM/W	DS25° x 90° x 25°	A++	578 x 189 x 76
6	P170W060-04	70W/64W/57W/50W	MAX 11000	150 LM/W	90° x 60° x 90°	A++	578 x 189 x 76

Installation





Item	Model NO.	Watt		Luminous Efficacy		EEC	L* W* H (mm)
1	P225W060-DS	25W	MAX 3500	140 LM/W	DS25°	A++	578 x 65 x 72.9
2	P225W060-SP	25W	MAX 3500	140 LM/W	30°	A++	578 x 65 x 72.9
3	P225W060-NR	25W	MAX 3500	140 LM/W	60°	A++	578 x 65 x 72.9
4	P225W060-WD	25W	MAX 3500	140 LM/W	90°	A++	578 x 65 x 72.9
5	P248W120-SP	48W/44W/40W/34W	MAX 7200	150 LM/W	30°	A++	1152 x 65 x 72.9
6	P248W120-NR	48W/44W/40W/34W	MAX 7200	150 LM/W	60°	A++	1152 x 65 x 72.9
7	P248W120-WD	48W/44W/40W/34W	MAX 7200	150 LM/W	90°	A++	1152 x 65 x 72.9
8	P248W120-DS	48W/44W/40W/34W	MAX 7200	150 LM/W	DS25°	A++	1152 x 65 x 72.9
9	P248W120-FF	48W/44W/40W/34W	MAX 6700	140 LM/W	120°	A++	1152 x 65 x 72.9
10	P260W150-DS	60W/55W/50W/42W	MAX 9000	160 LM/W	DS25°	A++	1438 x 65 x 72.9
11	P260W150-SP	60W/55W/50W/42W	MAX 9000	160 LM/W	30°	A++	1438 x 65 x 72.9
12	P260W150-NR	60W/55W/50W/42W	MAX 9000	160 LM/W	60°	A++	1438 x 65 x 72.9
13	P260W150-WD	60W/55W/50W/42W	MAX 9000	160 LM/W	90°	A++	1438 x 65 x 72.9

According to the International Standard of LED luminaire, here Cyanlite formally claims this product is only allowed to be applied to indoor environment. Meanwhile Cyanlite promises full warranty for the products. Any severe environment application including high/low temperature, high humidity, high salinity, high ammonia etc. is not permitted without the official confirmation from the manufacturer. If any misapplication happens, the warranty policy is no longer guaranteed. All values are typical values measured under laboratory conditions at 25 °C. Specifications subject to change without notice.

Rev: 1.1 2020/06/29