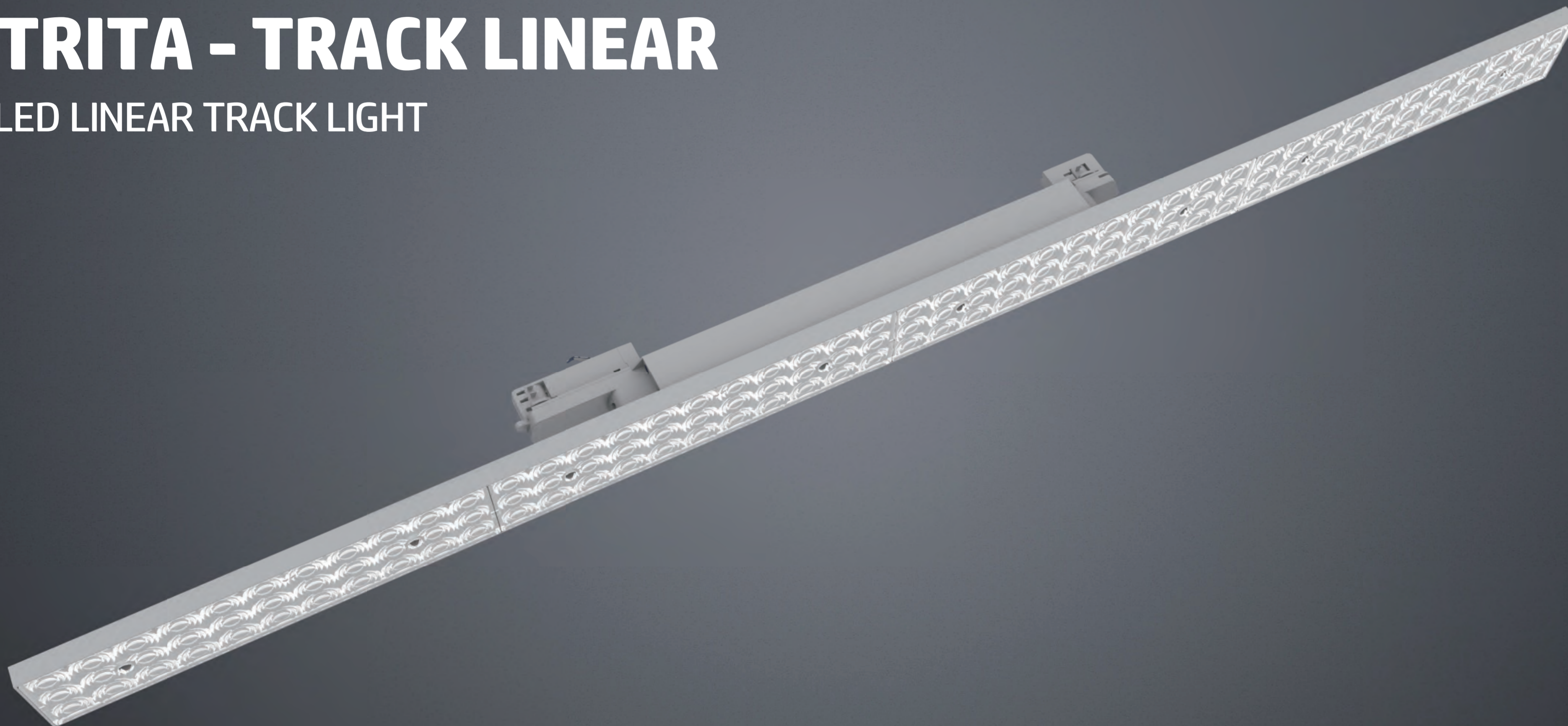





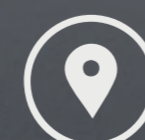
TRITA - TRACK LINEAR

LED LINEAR TRACK LIGHT



 +86 21 3157 9650

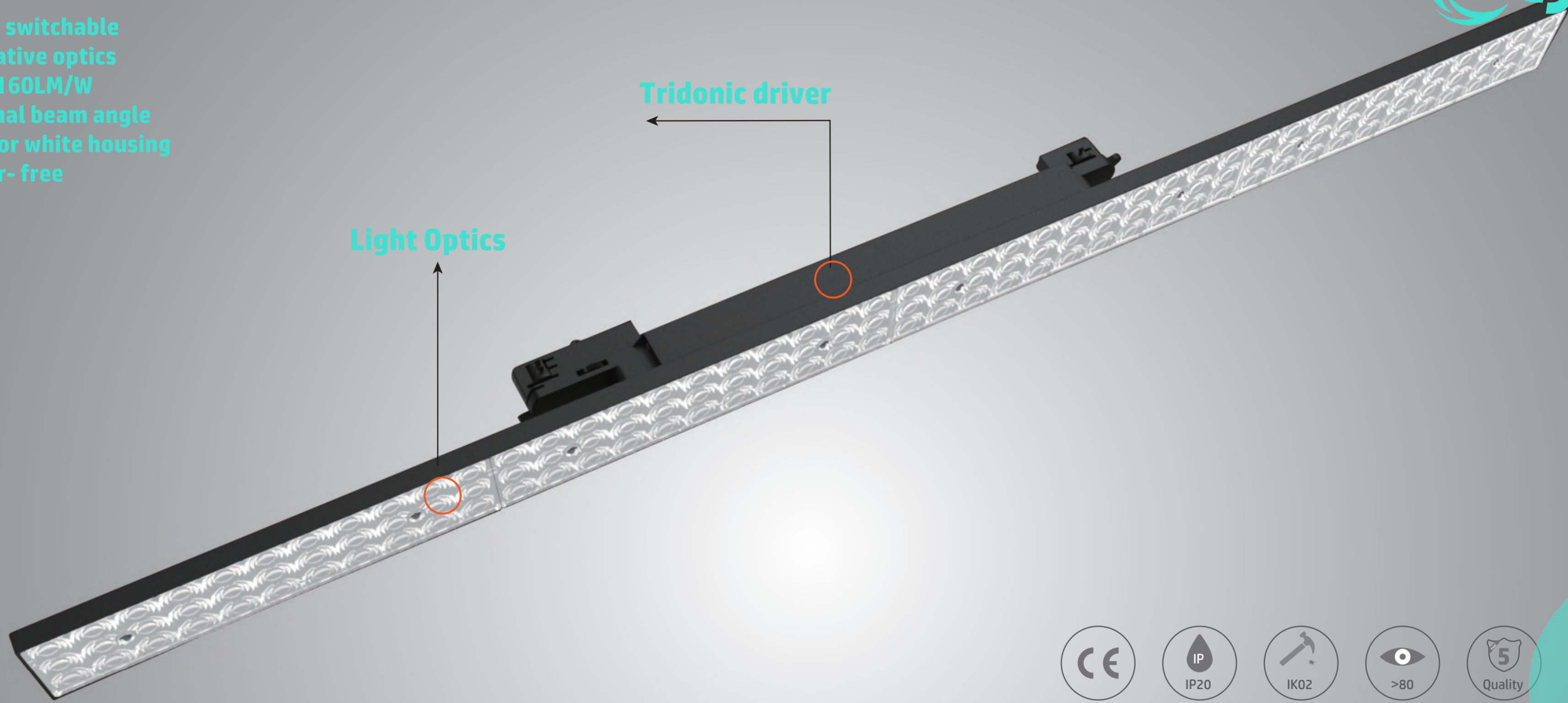
 WWW.CYANLITE.COM

 No.93 Jianhao Road, Pudong District,
Shanghai 201318, China

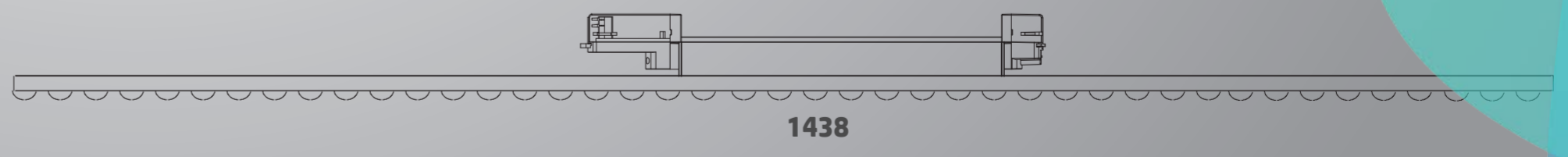
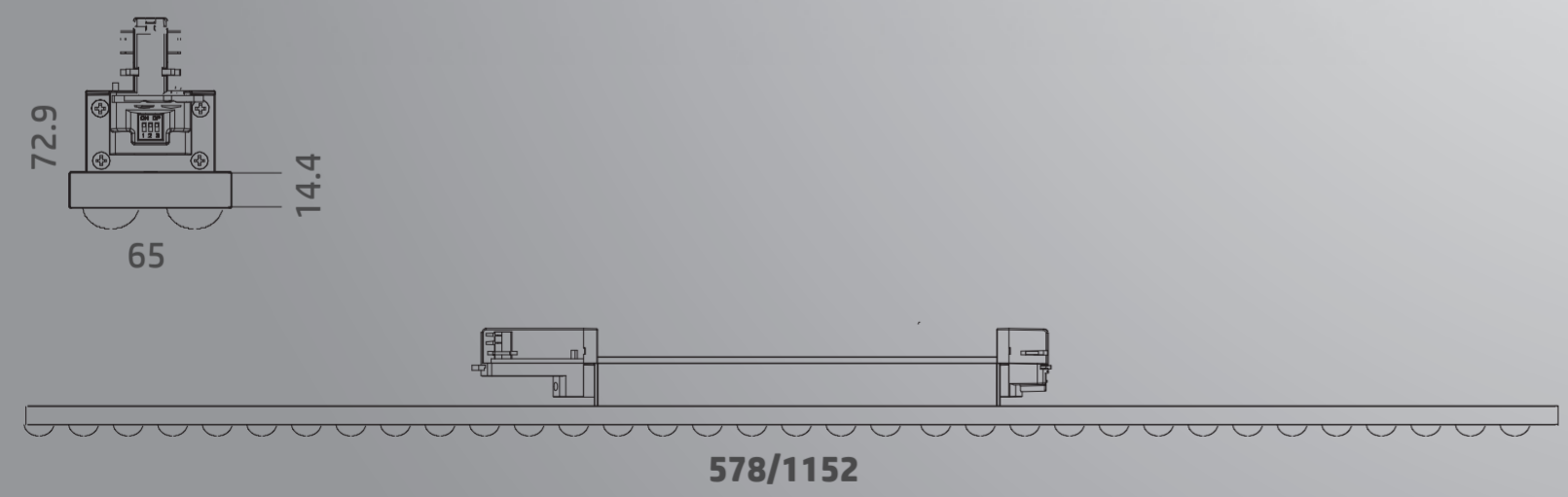
 INFO@CYANLITE.COM

Features

- Power switchable
- Innovative optics
- Up to 160LM/W
- Optional beam angle
- Black or white housing
- Flicker-free



Dimension(mm)



Features

Tridonic driver
Aluminium Frame
Black or white housing



Aluminium Frame

Tridonic Driver

Universal track adapter
compatible with multiple
3-circuit tracks

Wattage Adjustable

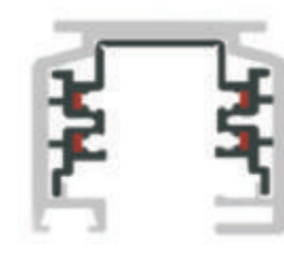
Specification

Voltage	AC220 - 240V, 50/60Hz
Weight	1.7KG
Consistency	< 3 SDCM
CRI(Ra)	> 80 or >90
Operating temperature	-25°C bis +45°C
Track Adaptor	Powergear 3-Circuit
Life time	50.000H [L80B10]
CCT	3000K 4000K 5000K 6000K

Compatible with all the major track brands, not limited to:



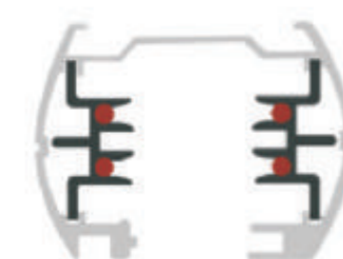
Global



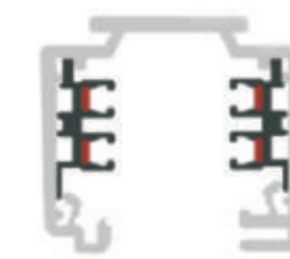
Eutrac



Staff



Ivela

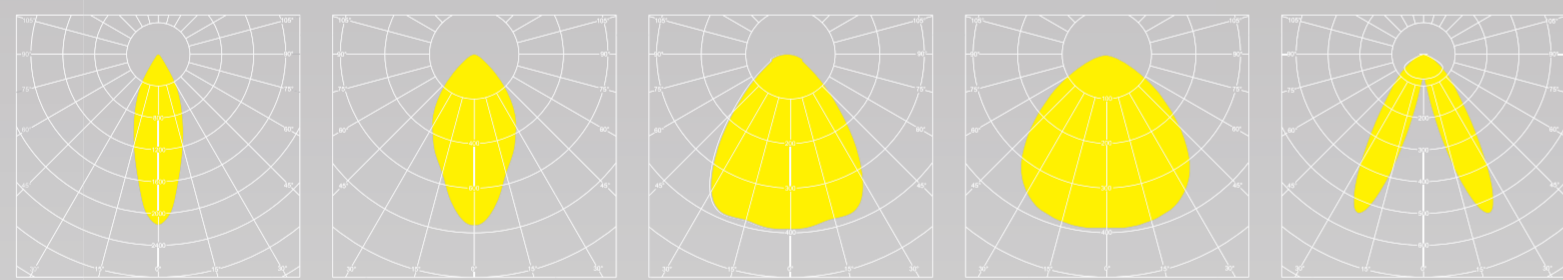
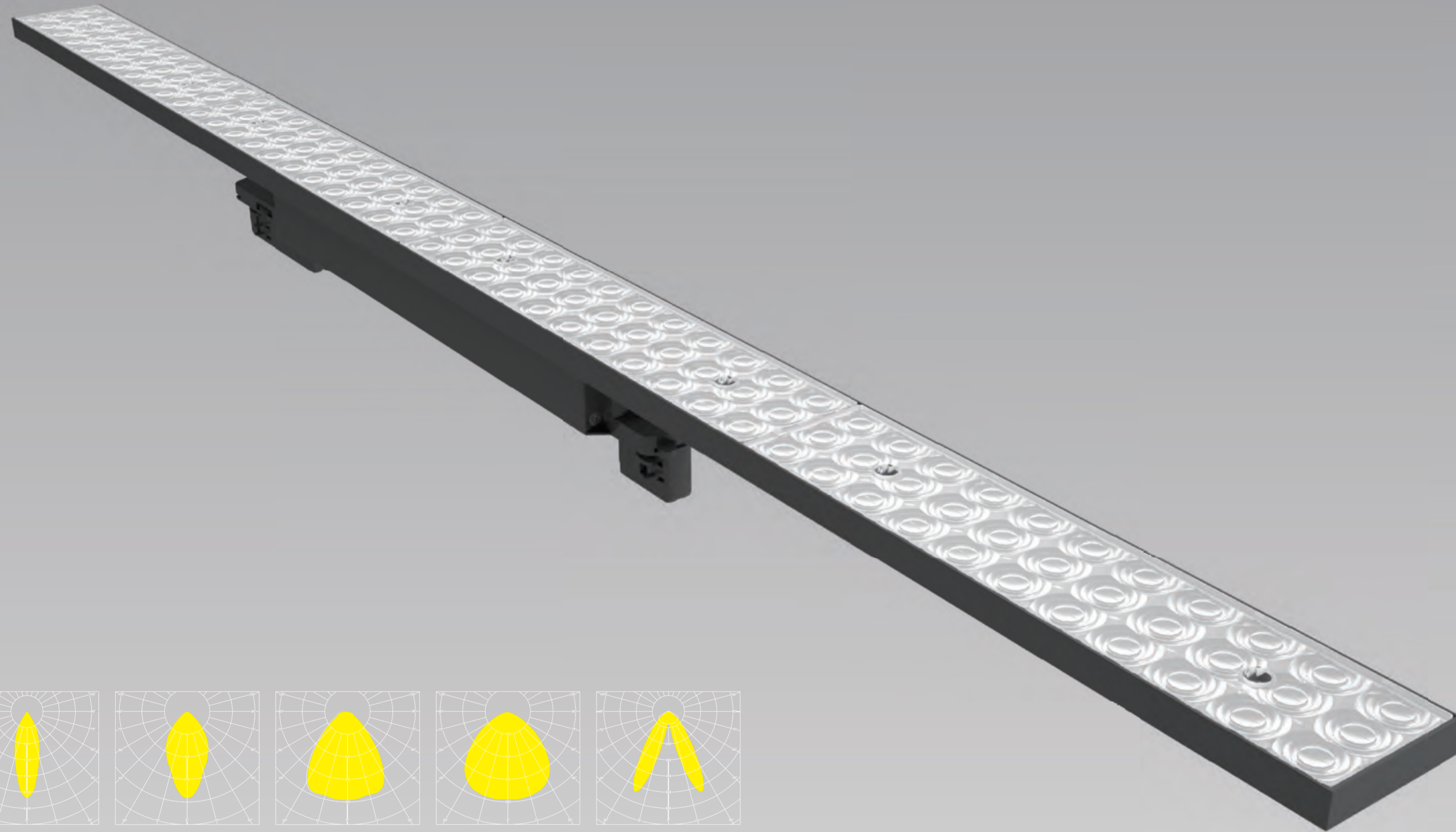


Unipro



Stucchi

Light distribution



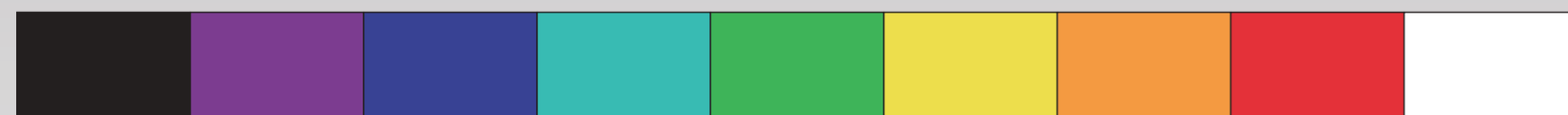
30°(SP)

60°(NR)

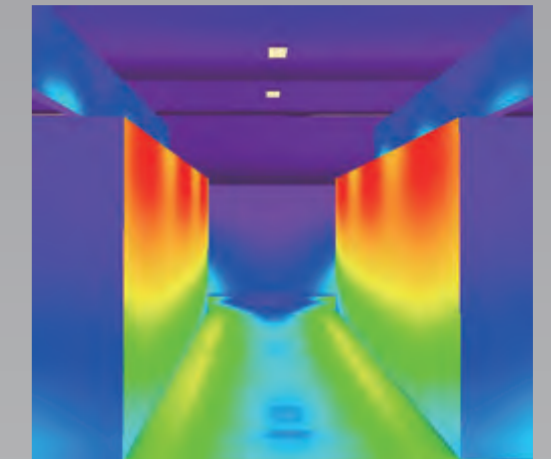
90°(WD)

120°(FF)

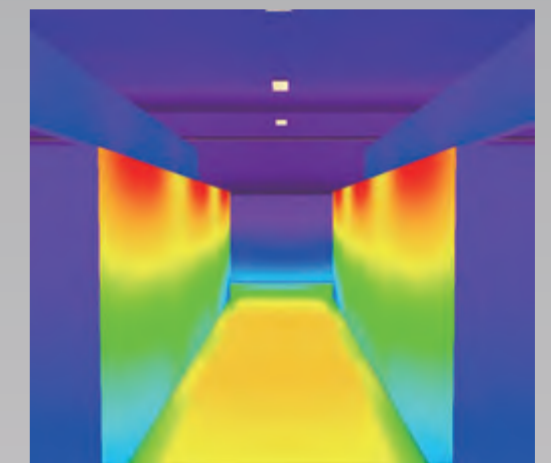
DS 25°



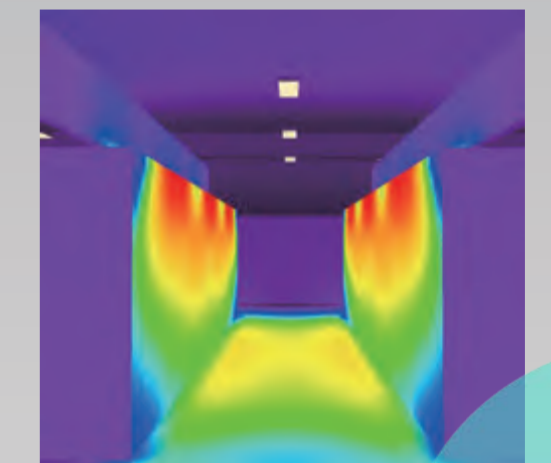
0 50 100 150 200 300 500 750 1000



DS25°



90° (WD)

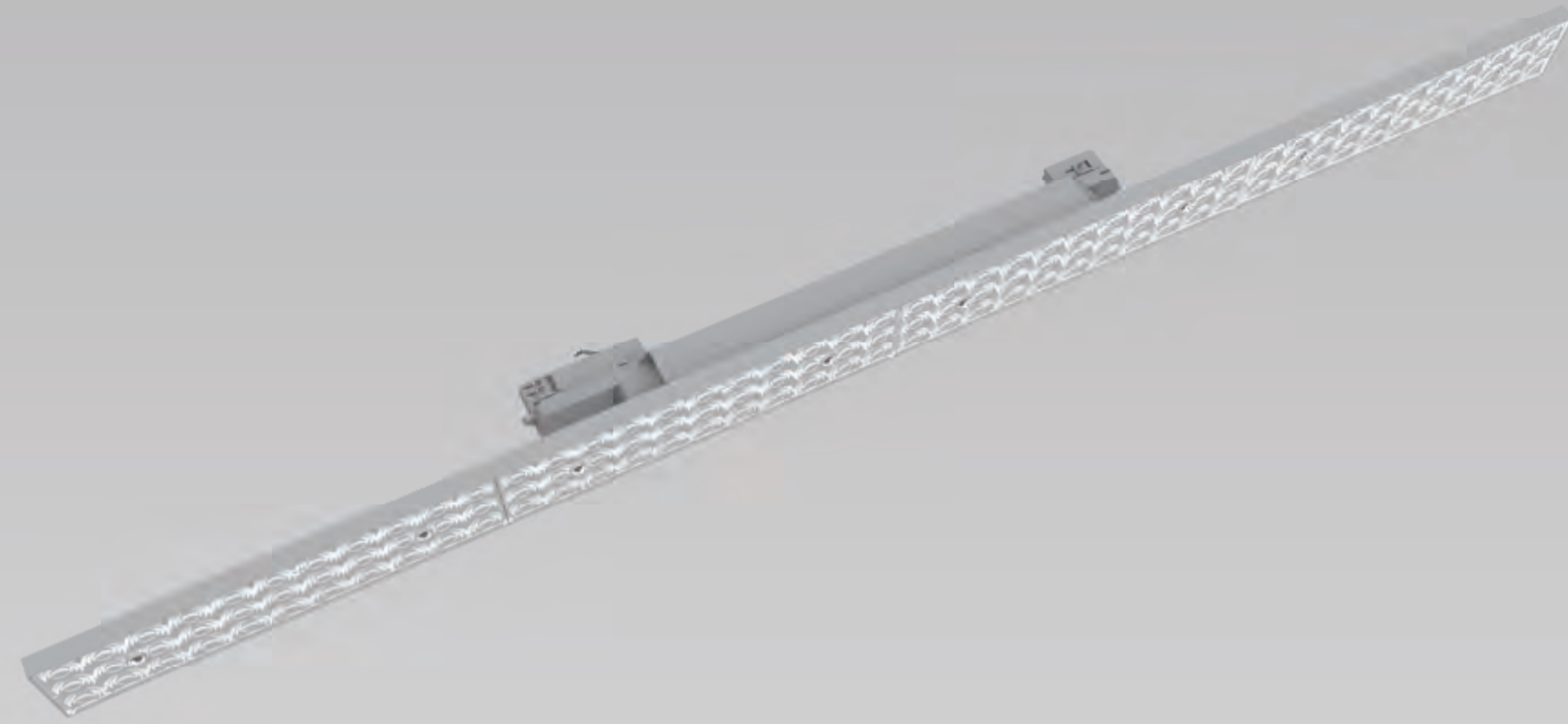




60°(NR)

Shop
Office
Gallery
Corridor
Exhibition hall

BEDROOM

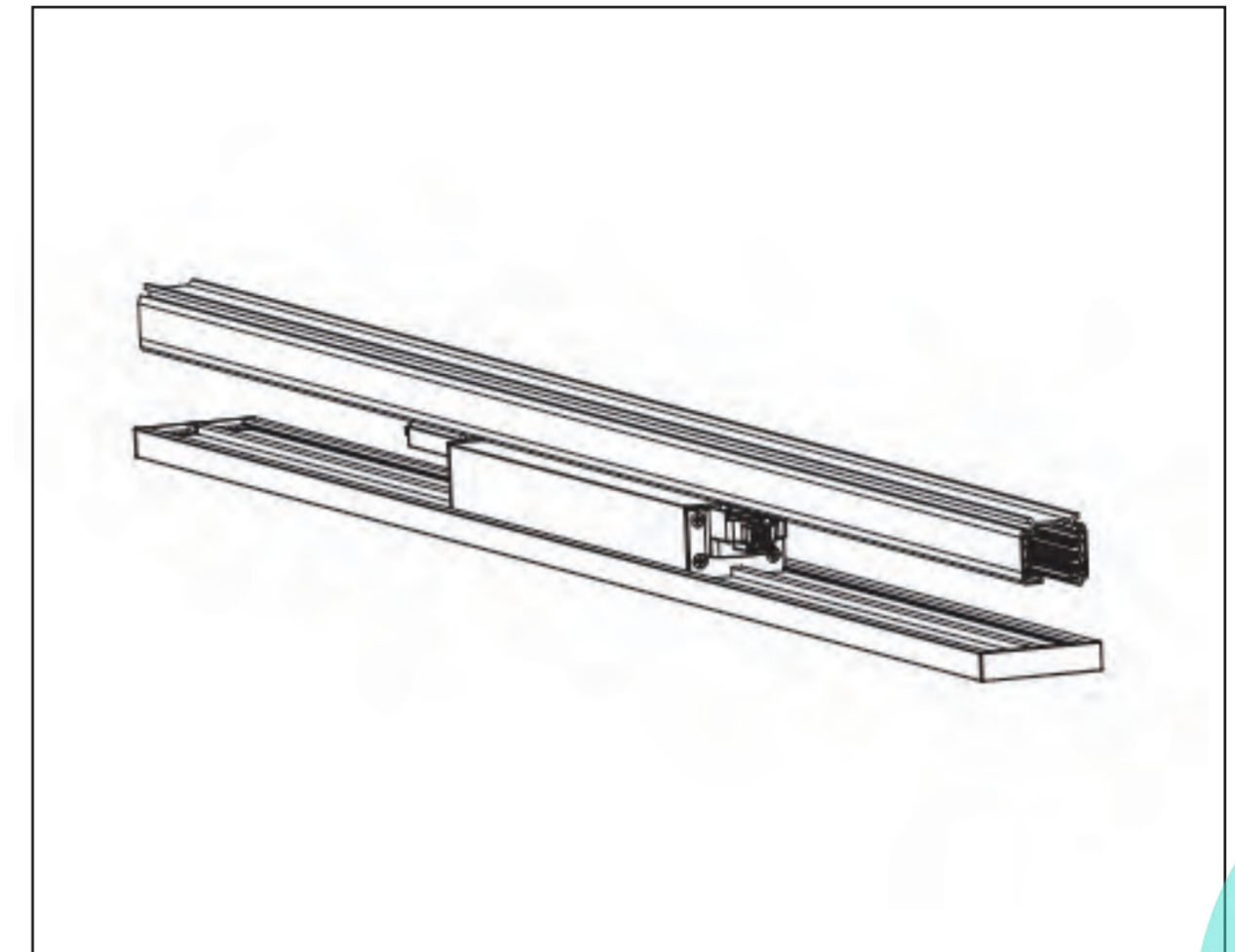
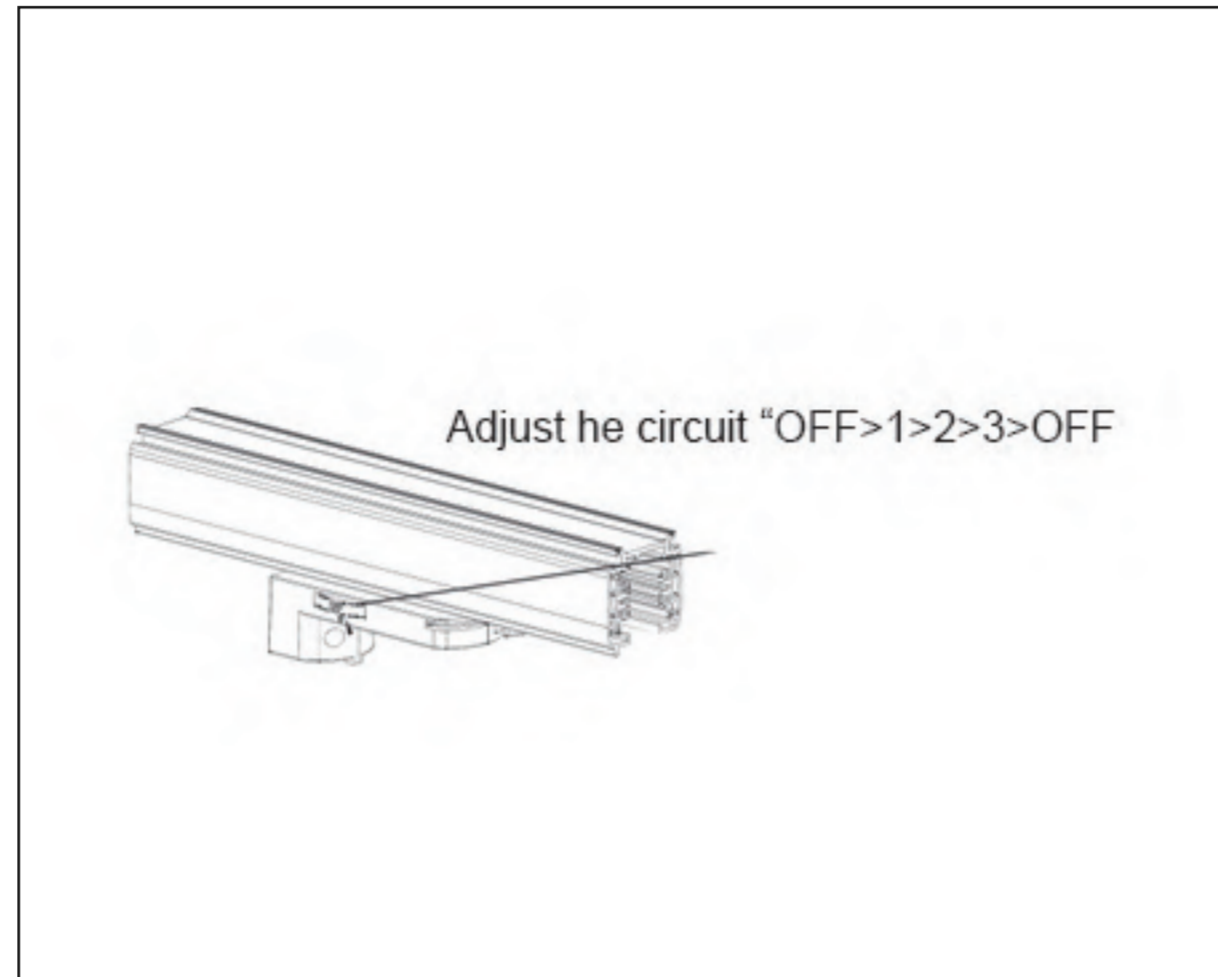
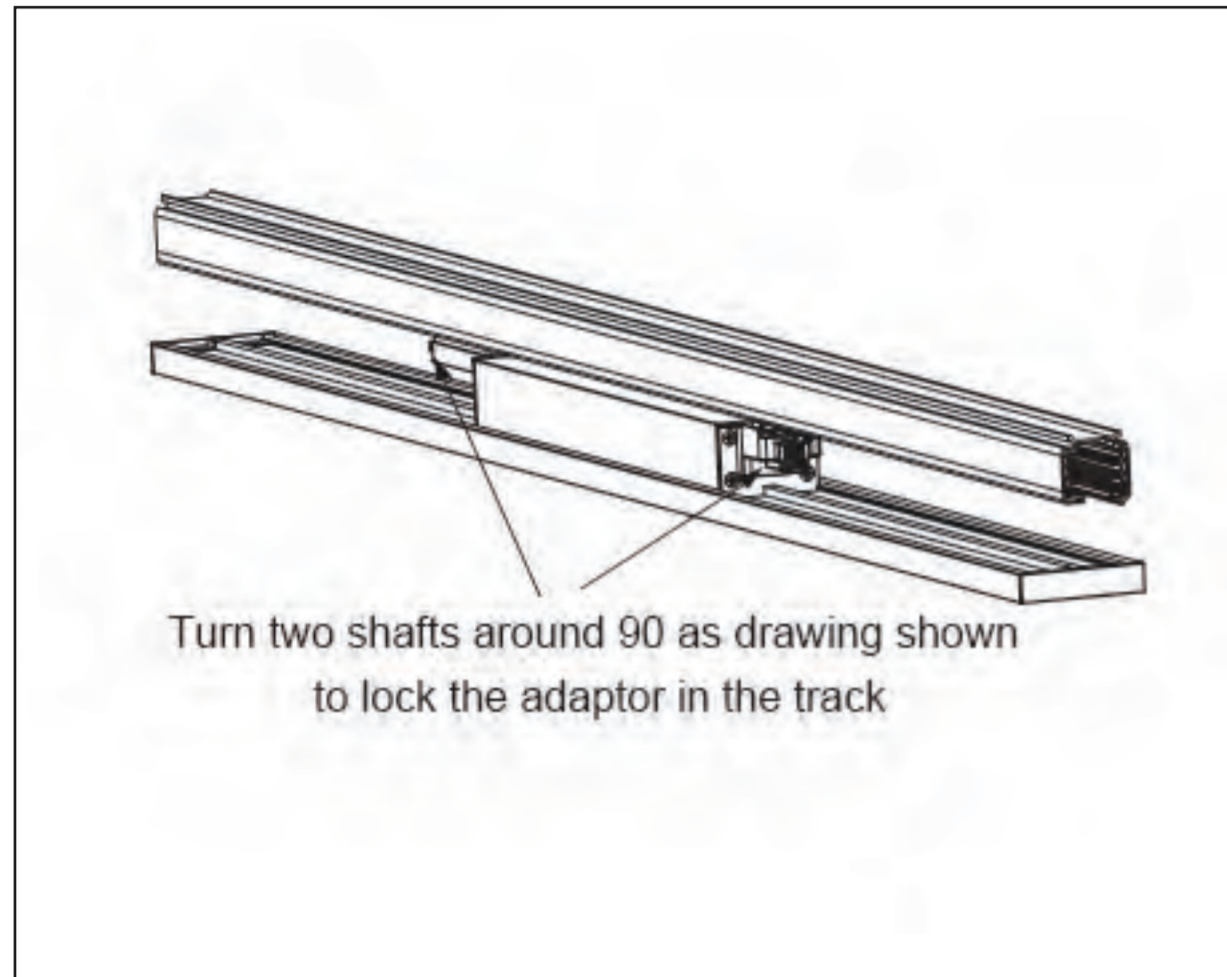
Technical/Electrical Characters



Item	Model NO.	Watt		Luminous Efficacy		EEC	L* W* H (mm)
1	P225W060-DS	25W	MAX 3500	140 LM/W	DS25°	A++	578 x 65 x 72.9
2	P225W060-SP	25W	MAX 3500	140 LM/W	30°	A++	578 x 65 x 72.9
3	P225W060-NR	25W	MAX 3500	140 LM/W	60°	A++	578 x 65 x 72.9
4	P225W060-WD	25W	MAX 3500	140 LM/W	90°	A++	578 x 65 x 72.9
5	P248W120-SP	48W/44W/40W/34W	MAX 7200	150 LM/W	30°	A++	1152 x 65 x 72.9
6	P248W120-NR	48W/44W/40W/34W	MAX 7200	150 LM/W	60°	A++	1152 x 65 x 72.9
7	P248W120-WD	48W/44W/40W/34W	MAX 7200	150 LM/W	90°	A++	1152 x 65 x 72.9
8	P248W120-DS	48W/44W/40W/34W	MAX 7200	150 LM/W	DS25°	A++	1152 x 65 x 72.9
9	P248W120-FF	48W/44W/40W/34W	MAX 6700	140 LM/W	120°	A++	1152 x 65 x 72.9
10	P260W150-DS	60W/55W/50W/42W	MAX 9000	160 LM/W	DS25°	A++	1438 x 65 x 72.9
11	P260W150-SP	60W/55W/50W/42W	MAX 9000	160 LM/W	30°	A++	1438 x 65 x 72.9
12	P260W150-NR	60W/55W/50W/42W	MAX 9000	160 LM/W	60°	A++	1438 x 65 x 72.9
13	P260W150-WD	60W/55W/50W/42W	MAX 9000	160 LM/W	90°	A++	1438 x 65 x 72.9



Installation



Package

Code	Outer Carton	Qty/Carton	Unit N.W	G.W/Carton
060	700*448*220mm	8Pcs	850g	10KG

Code	Outer Carton	Qty/Carton	Unit N.W	G.W/Carton
120	1250*370*205mm	8Pcs	1350g	14KG

Code	Outer Carton	Qty/Carton	Unit N.W	G.W/Carton
150	1540*370*205 mm	8Pcs	1750g	16KG



8PCS/CTN
Shipping Carton

! Caution

- ✘ In case of electric shock, please make sure the power is off before installation.
- ✘ The lamp should be installed and operated by a qualified electrician or technician in accordance with relevant local codes.
- ✘ Do not use sharp tools near or on the surface of the lamp.
- ✘ Unpack and examine the product carefully. Report any damage and save all packing materials if any portion of the product was damaged during transportation.