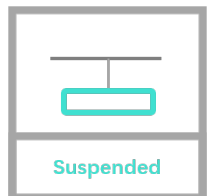
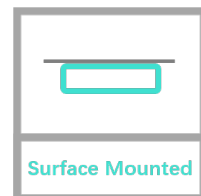
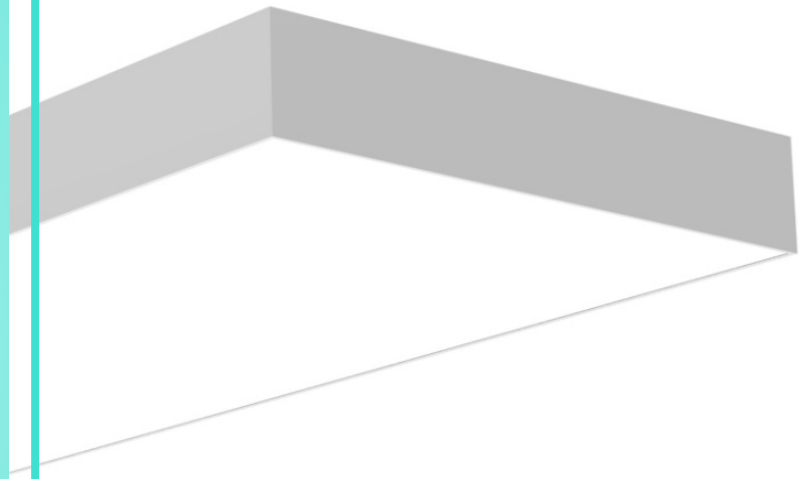
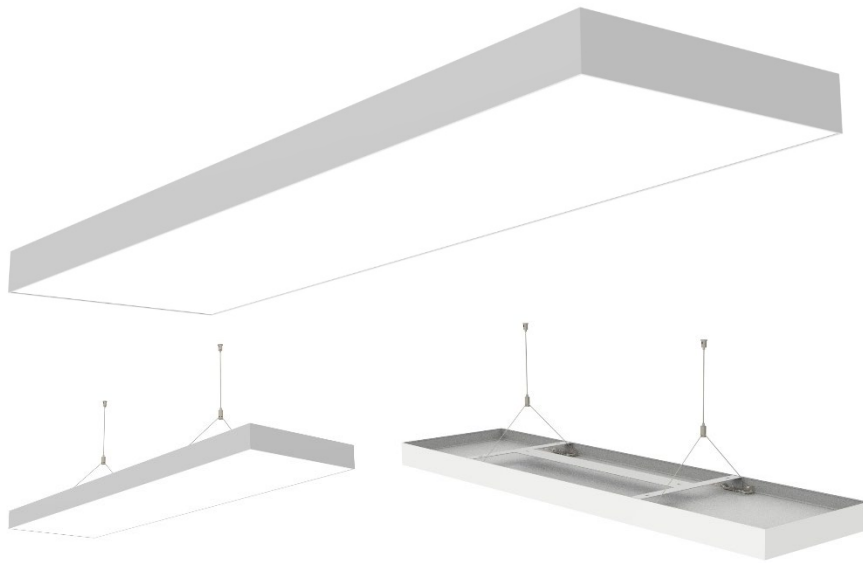


Cyanlite™
Frameless
LED Panel Lights
FRALA
for
Surface Mounted
& Suspension
Installation







Overview

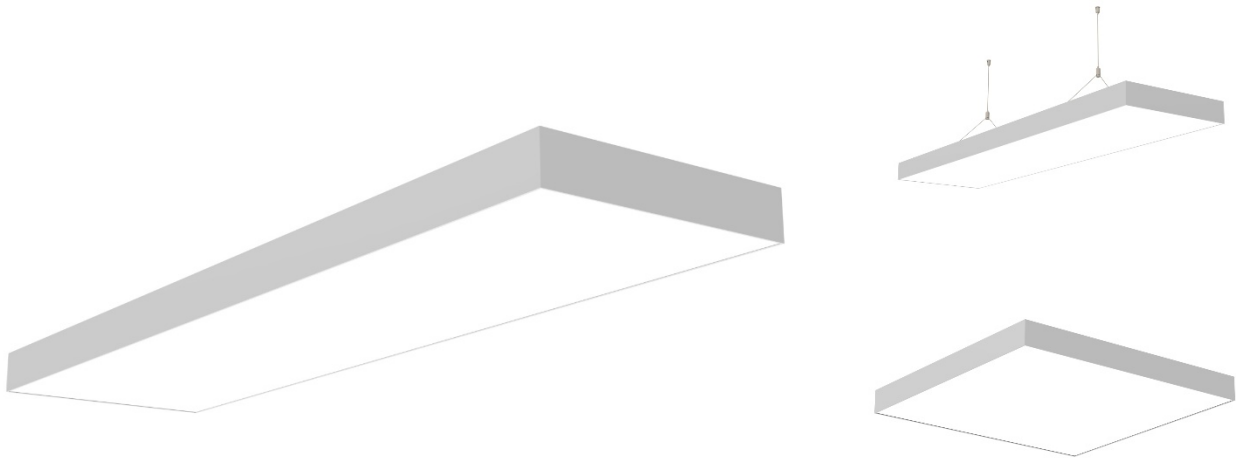
Cyanlite™ FRALA Frameless Series LED Panel Light is specifically engineered for surface-mounted and suspended installation on plasterboard and concrete ceilings. Its frameless design delivers a sleek, elegant appearance and uniform light distribution.

Featuring Cyanlite's patented mounting system, installers no longer need to position the fixture during installation, making the process simple and straightforward. Unlike traditional surface-mounted luminaires, there is no need for disassembly and reassembly, saving significant time and allowing projects to be completed quickly and easily. Pre-installed suspension bases are integrated on the back of the light—simply connect to suspension cables for fast overhead installation.

The 325x1250mm and 325x1560mm sizes are slightly larger than traditional luminaire dimensions (300x1200 / 310x1247mm; 300x1500/310x1547mm), helping to cover marks or traces left by previous fixtures.

Features

- Specifically designed for surface mounted and suspension installation
- Backlite technology makes the product cost more competitive
- No Distance between ceiling and luminaire, no dust accumulation
- No screws visible for an elegant and high-end appearance
- Easy and fast installation, saving installation cost, suspension bases are pre-installed already
- EN 12464-1 & LG7 Compliant, UGR<19 Optional when fitted with Micro Prismatic diffuser
- Range of color temperatures 3000K, 3500K, 4000K, 5000K & 6500K
- 5 Years Warranty



Model	Part No.	Power	Lumen Output	Dimension (mm)
625x625	SM30W062FR	30W	4500 lm	625x625x60
150x1200	SM30W113FR	30W	4200 lm	160x1260x60
150x1500	SM40W116FR	40W	5600 lm	160x1560x60
300x1200	SM30W313FR	30W	4200 lm	325x1260x60
300x1500	SM45W316FR	45W	6400 lm	325x1560x60

*Other Spec/Power/Lumen/Size customizations are welcome.



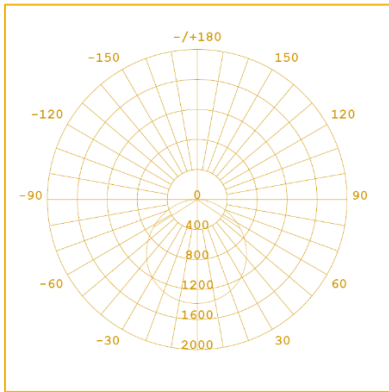
Part No.: ACC-PS-SUS-Y-2M3

Y-rope suspension 2 meters 2 pcs per Set for 1200/1500 models can be ordered separately.

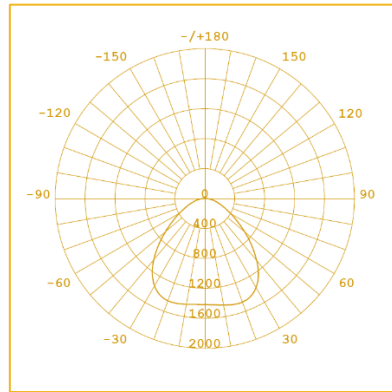
Part No.: ACC-PS-SUS-Y-2M6

Y-rope suspension 2 meters 2 pcs per Set for 625 models can be ordered separately.

Photometric

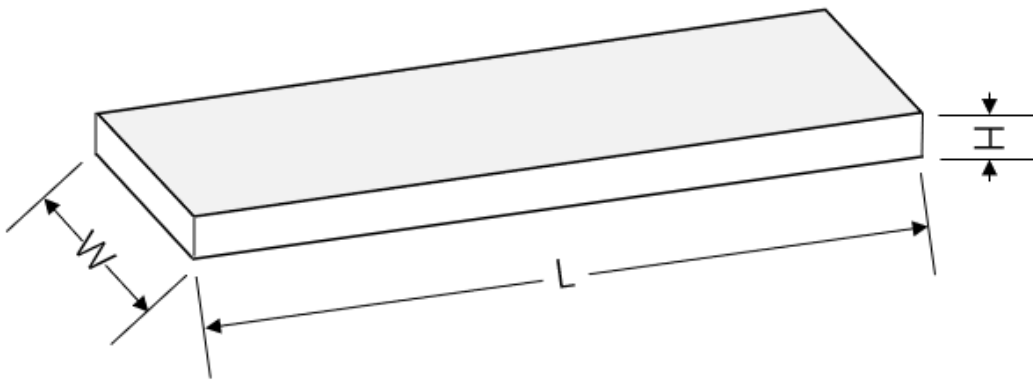


- UGR22 with Opalic Diffuser



- UGR19 with Micro Prismatic Diffuser

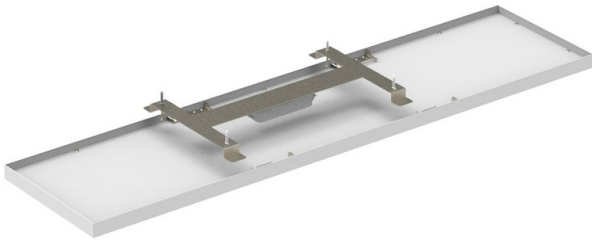
Dimensions (mm)



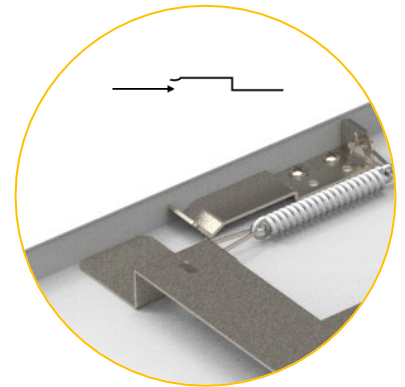
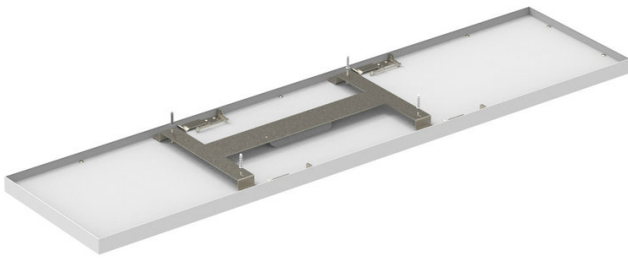
Model	W	L	H
625x625	625	625	60
150x1200	160	1260	60
150x1500	160	1560	60
300x1200	325	1260	60
300x1500	325	1560	60

Installation

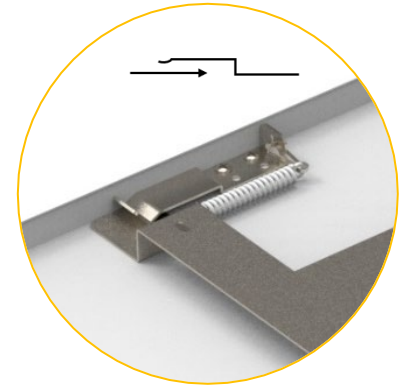
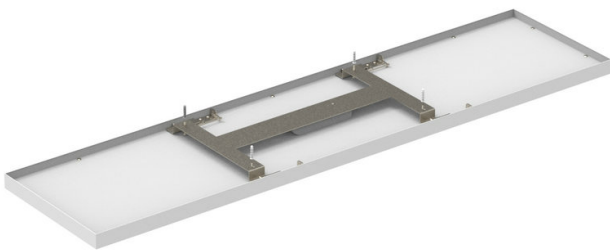
1, Screw the mounting fixture to the ceiling and connect the safety rope hook and wiring to LED driver



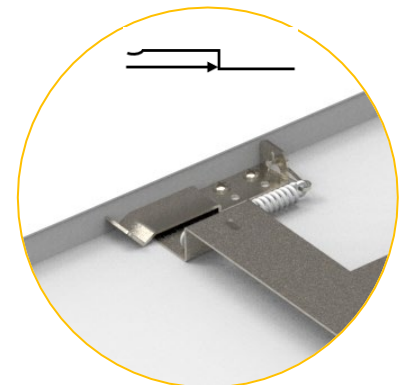
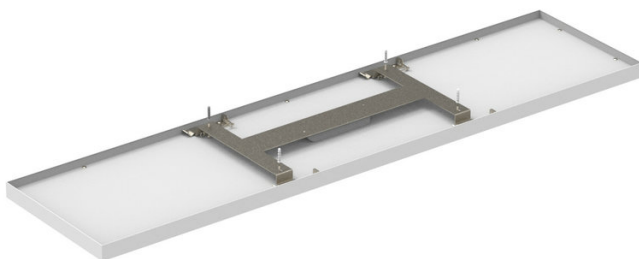
2, Push and slide the luminaire towards the mounting fixture



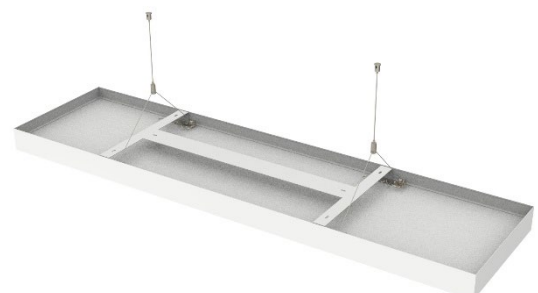
3, Sliding the luminaire



4, Slide to the end of clip, and job done.



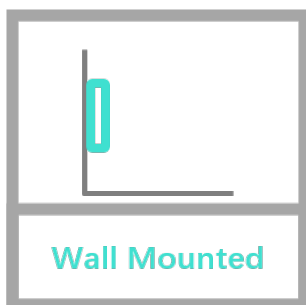
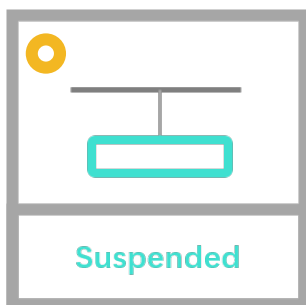
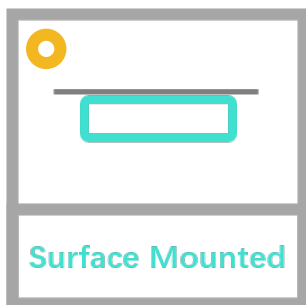
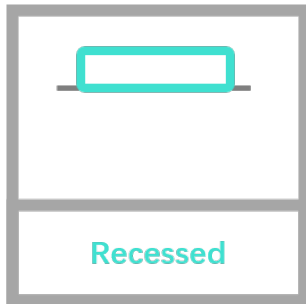
Base for Suspension Installation are already pre-installed.



Efficacy	Upto 150 lm/W @ 4000K
CRI (Ra)	>80 (>90 Optional)
Color Temp.	3000K/3500K/4000K/5000K/6000K or 3000K-4000K-6500K SCCT (Switchable CCT)
Lighting Method	Back-lite
Light Source	SMD2835
SDCM	<3
Beam Angel	110° Opalic Diffuser/ 90° Micro Prismatic Diffuser
Service Life	L80B10 (25°C) > 50.000h
IP Rating	IP40
Impact Resistance	IK04
Hot Wire Resistance	650°C
Driver	Flicker Free On/off driver as standard
Dimmable	1-10V, DALI, Push Dim, Bluetooth Optional
Nominal Frequency	50/60Hz
Power Factor	>0.9
Input Voltage	200~240V
Flick Free	Yes
Housing Color	RAL9016 White as standard, Black and Silver optional
Housing Material	Aluminum frame, Steel housing
LENS Material	Acrylic (PMMA)
Diffuser Material	Polystyrene (PS); PMMA and PC are optional
Storage Temp.	-40 °C~+80 °C
Working Temp.	-20 °C~+45 °C
Mount	Surface Mounted
Package	1pcs per gift box, 4pcs per master box
Warranty	5 years

According to the International Standard of LED luminaire, here Cyanlite formally claims this product is only allowed to be applied to indoor environment. Meanwhile Cyanlite promises full warranty for the products. Any severe environment application including high/low temperature, high humidity, high salinity, high ammonia etc. is not permitted without the official confirmation from the manufacturer. If any misapplication happens, the warranty policy is no longer guaranteed. All values are typical values measured under laboratory conditions at 25 °C. Specifications subject to change without notice.

Rev: 1.2 2024/12



Cyanlite™

LED Luminaires

For

Recessed

• Surface Mounted

• Suspended

Wall Mounted

Standing & Desktop

Installations

www.cyanlite.com

