

Cyanlite™

LED Backlit Panel

Lights with

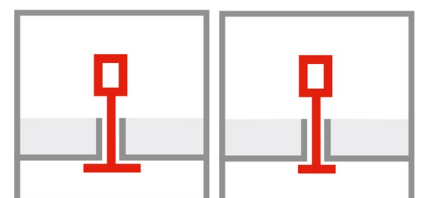
Aircon Slots

for

T15/T24

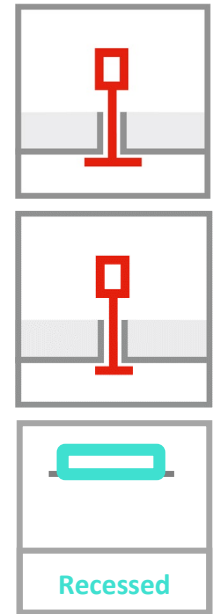
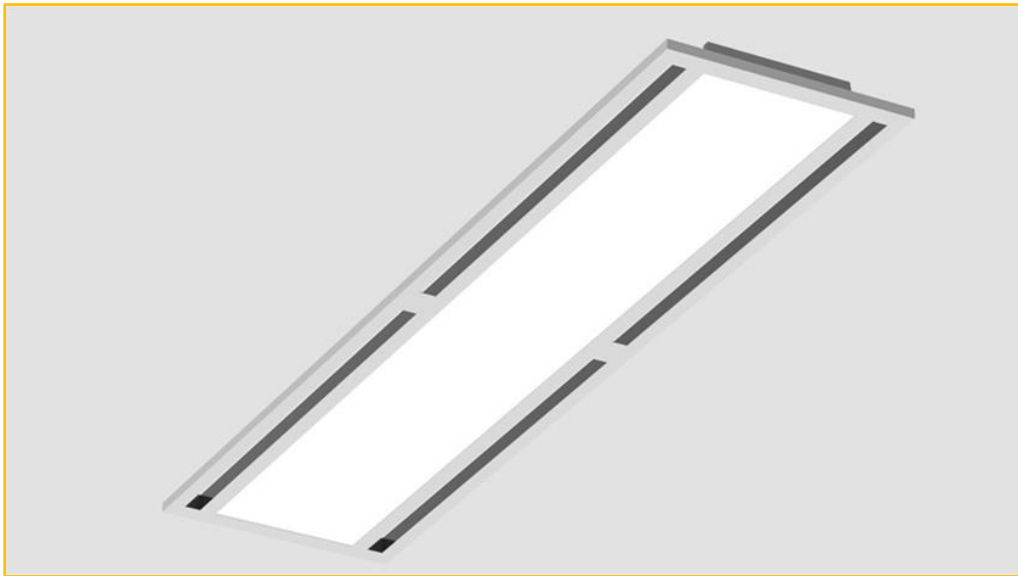
Lay-On

Ceilings





LED Backlit Panel with Aircon Slots for Lay-On Ceiling



Overview

The Cyanlite™ LED panel lights with aircon slots are designed for the high-class premium projects, which requires air handling. Air passes through the slots at both sides perfectly. The efficiency is up to 125 lumen per watt. Adopting the benefit of LED Backlite technology, this luminaire has no light guide inside, no worry about yellowish problem compared with edge lit panel light. The structure is stylish and fashionable, stable, and with excellent thermal management. It could directly fit into the Lay-On ceiling systems perfectly, no need for extra accessories. Flicker free, on off as standard; 1-10V and DALI dimming are optional. A good product for office, hospital, school, shop, and other open planed location.

Bespoke sizes, watts, efficiency are available on request.

Advantages

- Excellent air handling ability
- No light guide, no yellowish problem.
- Needs no additional installation accessories, saving material cost
- Easy and fast installation, no additional job for screws or adjustment, saving installation cost
- A wide product range for all major standard Lay-on ceiling tile sizes
- Flexible and customization oriented, bespoke sizes are welcome
- Professional LED lighting manufacturer, ODM for EU top lighting brands, no risk for partnership

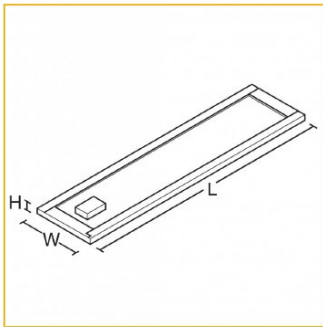
Features

- Standard sizes (mm): 600x600, 625x625, 300x1200, 600x1200, customized sizes are welcome
- RAL9016 as standard, other RAL colors available on request
- System Efficiency upto 125 lm/W



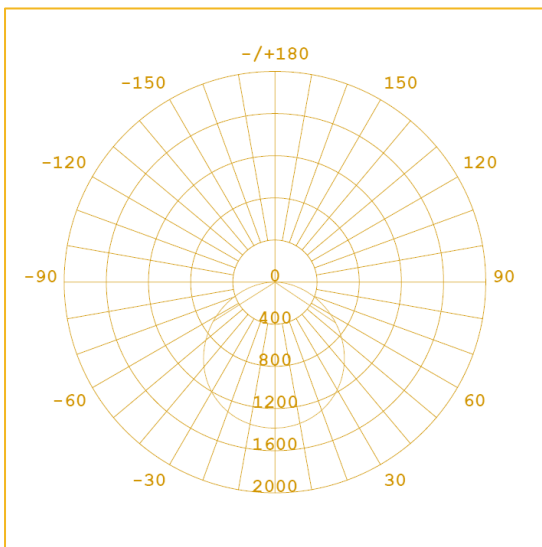
- EN 12464-1& LG7 Compliant, UGR<19 Optional with Micro Prismatic diffuser
- Range of color temperatures 3000K, 3500K, 4000K, 5000K & 6000K
- 5 Years Warranty
- Various dimming options, including 0-10V, DALI, Switch Dim etc.
- Emergency options available

Specification

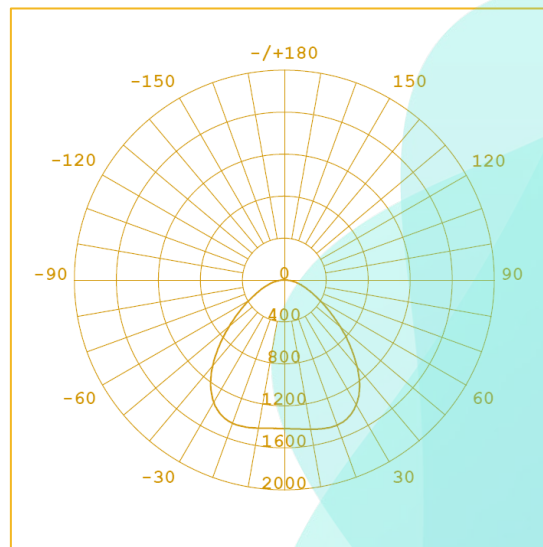


Model	Part No.	Power	Luminous Flux	Dimension (mm)
600x600	PB35W060P-AV	35 W	4375 lm	595x595x30
625x625	PB35W062P-AV	35 W	4375 lm	620x620x30
300x1200	PB35W312P-AV	35 W	4375 lm	295x1195x30
600x1200	PB45W612P-AV	45 W	5625 lm	595x1195x30

Photometric



- UGR22 with Opalic Diffuser



- UGR19 with Micro Prismatic Diffuser

Efficacy	125lm/w ≥ 4000K
CRI (Ra)	80
Color Temp.	3000K/3500K/4000K/5000K/6000K
Lighting Method	Back-lite
Light Source	SMD2835
SDCM	<3
Beam Angel	110° Opalic Diffuser/ 90° Micro Prismatic Diffuser
Service Life	L80B10 (25°C) > 50.000h
IP Rating	IP40/IP65
Impact Resistance	IK04
Hot Wire Resistance	650°C
Driver	Flicker Free On/off driver as standard
Dimmable	1-10V, DALI, Push Dim, Bluetooth Optional
Nominal Frequency	50/60Hz
Power Factor	>0.9
Input Voltage	200~240V
Flick Free	Yes
Housing Color	RAL9016 White
Housing Material	6063-T5 aluminum for frame; ST14 Steel for Backboard
Lens Material	Acrylic (PMMA)
Diffuser Material	Polystyrene (PS)
Storage Temp.	-40°C~+80°C
Working Temp.	-20°C~+45°C
Mount	Recessed
Package	1/2pcs per gift box, 5pcs per master box
Warranty	5 years

According to the International Standard of LED luminaire, here Cyanlite formally claims this product is only allowed to be applied to indoor environment. Meanwhile Cyanlite promises full warranty for the products. Any severe environment application including high/low temperature, high humidity, high salinity, high ammonia etc. is not permitted without the official confirmation from the manufacturer. If any misapplication happens, the warranty policy is no longer guaranteed. All values are typical values measured under laboratory conditions at 25 °C. Specifications subject to change without notice.

Rev: 1.5 2022/8/11

Cyanlite™

LED Panel Lights

For

Lay-In

● Lay-On

Clip-In

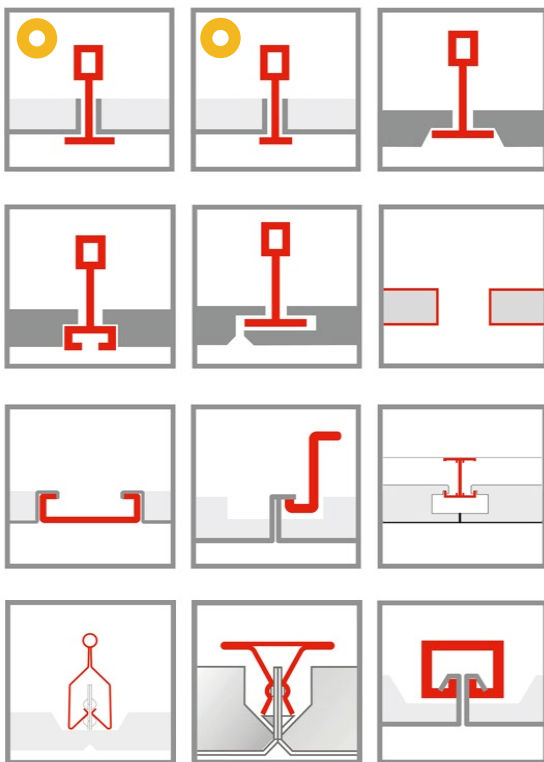
Hook-In

Hook-On

Hook-Over

Double Hook

Ceilings



www.cyanlite.com

