

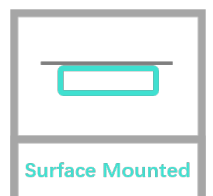
Cyanlite™

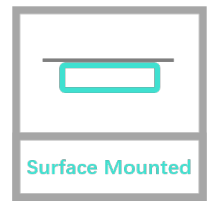
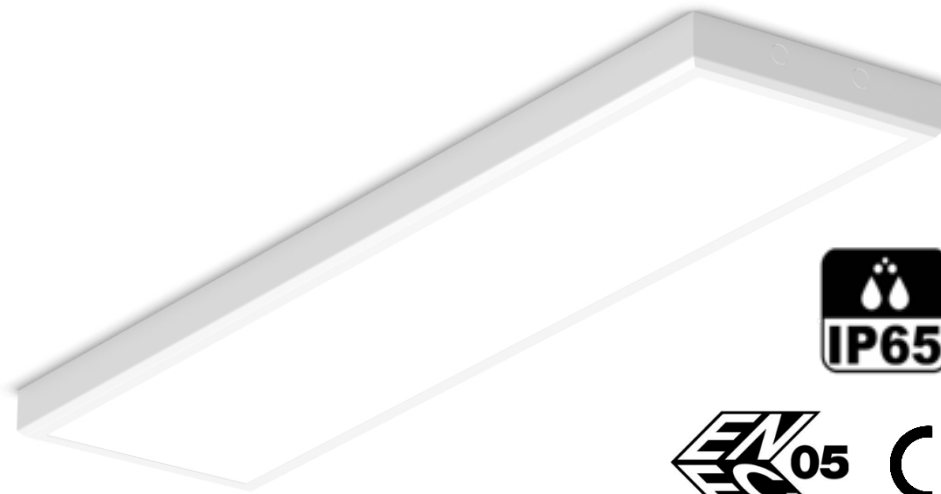
Dura

IK10/IK11

Surface Mounted

LED Light





Overview

The Cyanlite™ Dura IK10/IK11 Surface Mounted Led Light is a reliable lighting solution for industrial, commercial, and public spaces requiring tough performance. Certified to international IK standards, it withstands 20J impact (IK10, equivalent to a 5kg object falling 40cm) and 50J impact (IK11, a 10kg object falling 50cm), keeping its casing intact and circuits stable against equipment collisions, accidental scrapes, or sandstorms—avoiding lighting disruptions and cutting maintenance costs. It suits diverse scenarios: factory workshops, warehouses, and machining areas (industrial); school hallways, hospital corridors, subway platforms, and stadiums (public facilities) etc. Beyond durability, it has high-light-efficiency 140lm/w, and power switchable, low-power LED benefits, a thick and robust Aluminum frame. Rigorously tested from material selection to final inspection, it ensures long-term stable operation, making it ideal for users prioritizing durability and safety.

Beyond its strong durability, with Cyanlite patented mounting fixture, the installation is simple and easy, just slide and click and the installation is done, saving huge time for installers and allowing installation to be completed quickly and effortlessly. And it offers clients the flexibility to install them separately or continuously by loop-in-loop-out mechanism.

Advantages and Features

- IK10/IK11 Specifically for touch performance, IP40/IP65 optional.
- System Efficiency up to 140 lm/W, with Eaglerise On/off Power Switchable Driver
- No Distance between ceiling and luminaire, no dust accumulation
- No screws visible for an elegant and high-end appearance
- Surface mounted Easy and fast installation, saving installation cost
- Backlite technology, making the product cost more competitive
- Various sizes 300x600, 625x625; 160x1260, 160x1560, 325x1260; 325x1560, etc. and other customized sizes accepted,
- EN 12464-1& LG7 Compliant, UGR<19 Optional when fitted with Micro Prismatic diffuser
- Various dimming options, including 0-10V, DALI, Switch Dim etc.
- Emergency options available
- 5 Years Warranty

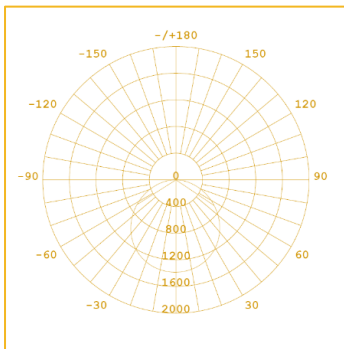
Specifications

Part No.	Default Power	Default Lumens	Dimension (mm)	Power Choices (Notes)
SM25W306SA-SP	25W	3500 lm	300x600x55	
SM29W062SA-SP	29W	4060 lm	625x625x55	-700mA, 25W, 3500lm
SM33W113SA-SP	33W	4620 lm	160x1260x55	-800mA, 29W, 4060lm
SM38W116SA-SP	38W	5320 lm	160x1560x55	-900mA, 33W, 4620lm
SM33W313SA-SP	33W	4620 lm	325x1260x55	-1050mA, 38W, 5320lm
SM38W316SA-SP	38W	5320 lm	325x1560x55	

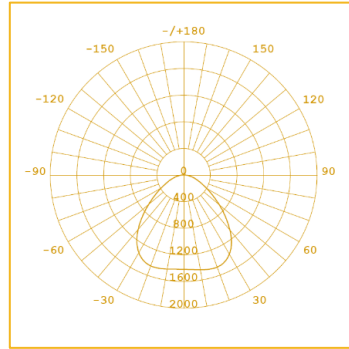
Standard with Eaglerise On/off Driver **FLS-40-1050 LD1 ADV** (700-800-900-1050mA Selectable)

*Other Spec/Power/Lumen/Size customizations are welcome.

Photometric

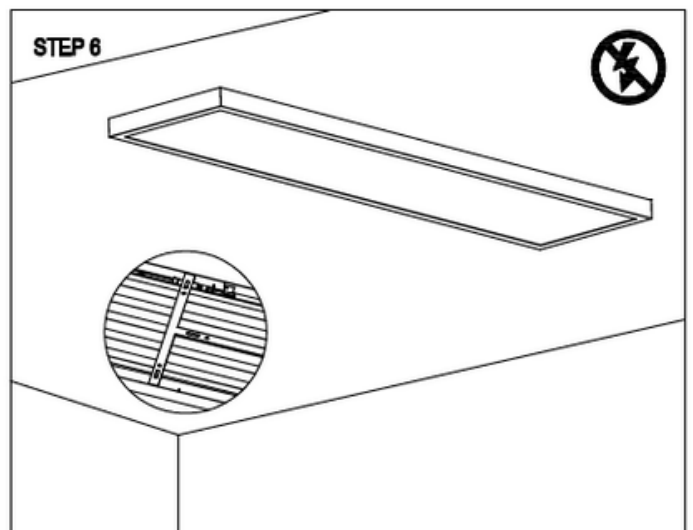
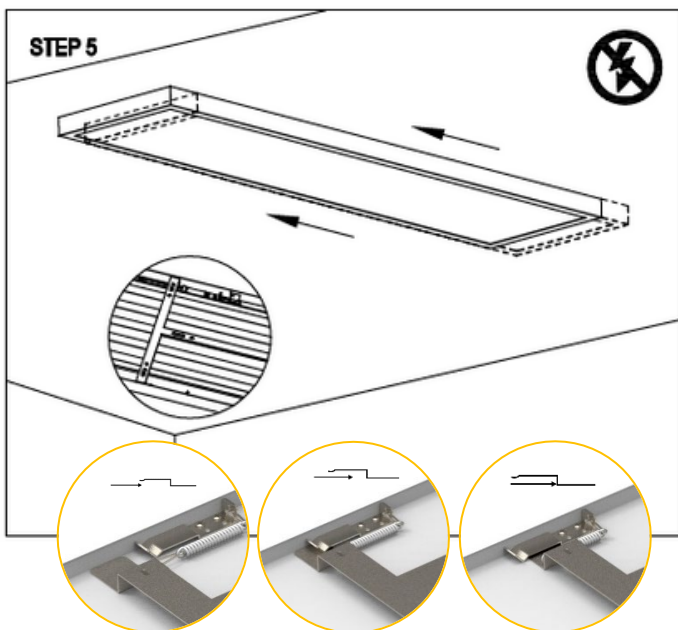
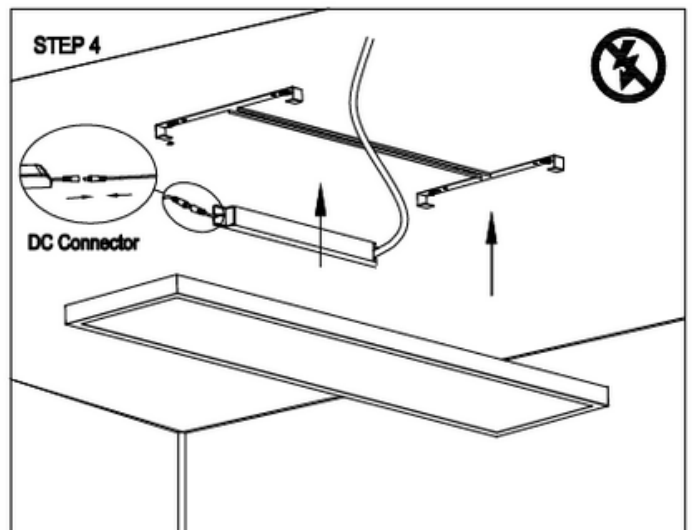
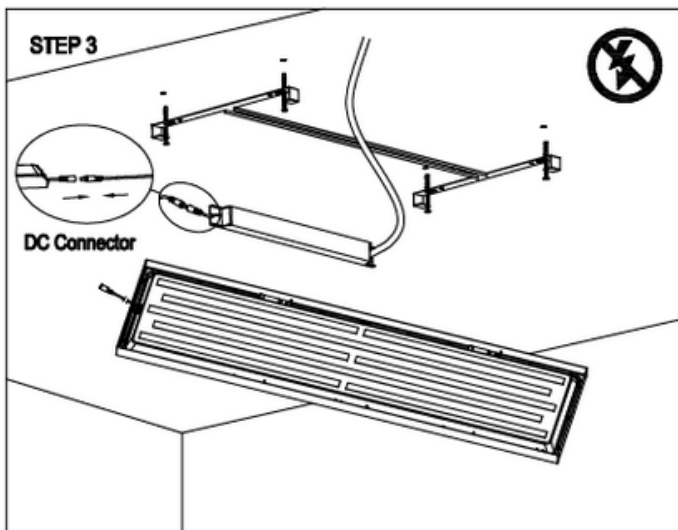
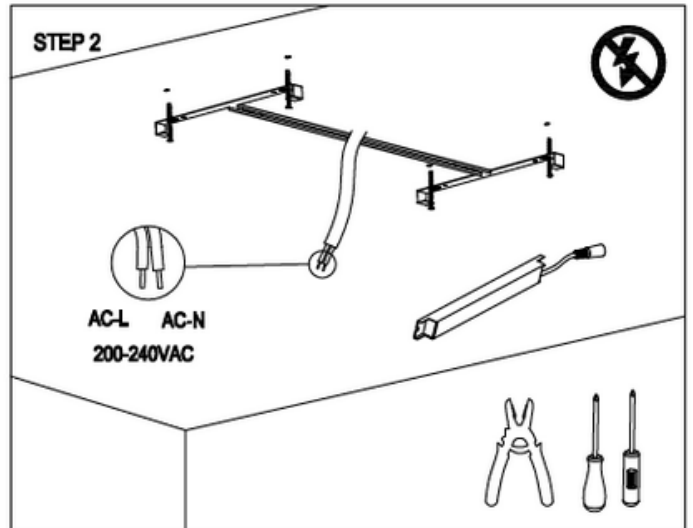
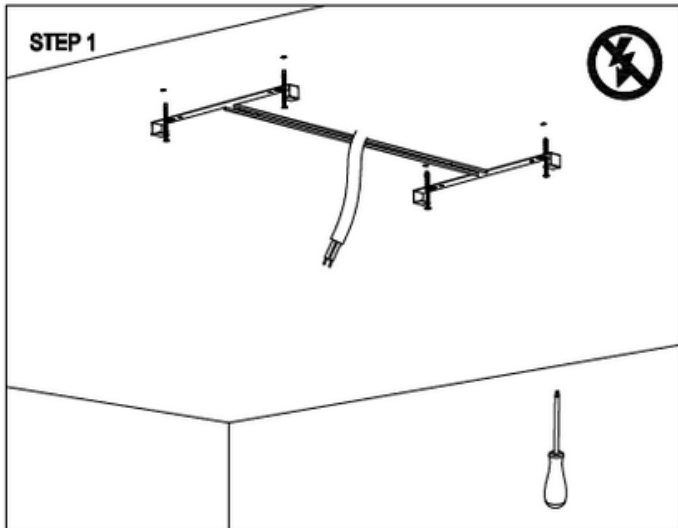


- UGR22 with Opalic Diffuser



- UGR19 with Micro Prismatic Diffuser

Installation

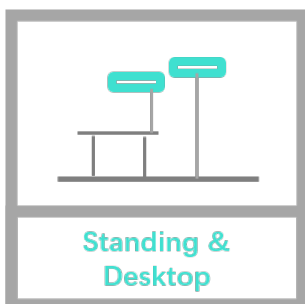
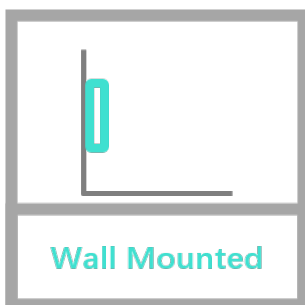
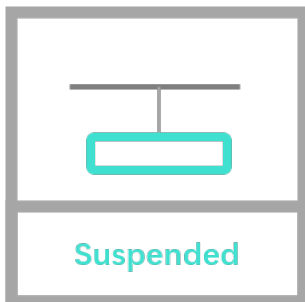
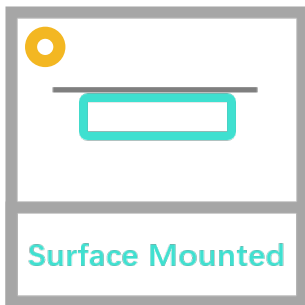
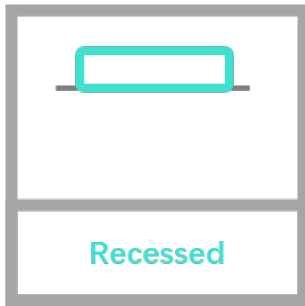


Technical Data

Efficacy	Upto 140 lm/W @ 4000K
CRI (Ra)	>80 (>90 Optional)
Color Temp.	3000K/3500K/4000K/5000K/6000K or 3000K-4000K-6500K SCCT (Switchable CCT)
Lighting Method	Back-lite
Light Source	SMD2835
SDCM	<3
Beam Angel	110° Opalic Diffuser/ 90° Micro Prismatic Diffuser
Service Life	L80B10 (25°C) > 50.000h
IP Rating	Standard as IP40 (IK65 Optional)
Impact Resistance	Standard as IK10 (IK11 Optional)
Hot Wire Resistance	650°C
Driver	Flicker Free On/off Eaglerise Driver as standard (FLS-40-1050 LD1 ADV)
Dimmable	1-10V, DALI, Push Dim, Bluetooth Optional
Nominal Frequency	50/60Hz
Power Factor	>0.9
Input Voltage	200~240V
Flick Free	Yes
Housing Color	White (WH) RAL9016 as standard coating color, Black (BK), Silver (SI) and other RAL colors available on request
Housing Material	Aluminum frame, Steel housing
LENS Material	Acrylic (PMMA)
Diffuser Material	PC
Storage Temp.	-40°C~+80°C
Working Temp.	-20°C~+45°C
Mount	Surface Mounted
Package	1pcs per gift box, 4pcs per master box
Warranty	5 years

According to the International Standard of LED luminaire, here Cyanlite formally claims this product is only allowed to be applied to indoor environment. Meanwhile Cyanlite promises full warranty for the products. Any severe environment application including high/low temperature, high humidity, high salinity, high ammonia etc. is not permitted without the official confirmation from the manufacturer. If any misapplication happens, the warranty policy is no longer guaranteed. All values are typical values measured under laboratory conditions at 25 °C. Specifications subject to change without notice.

Rev: 1.2 2024/12



Cyanlite™
LED Luminaires
For
Recessed
• **Surface Mounted**
Suspended
Wall Mounted
Standing & Desktop
Installations

www.cyanlite.com

