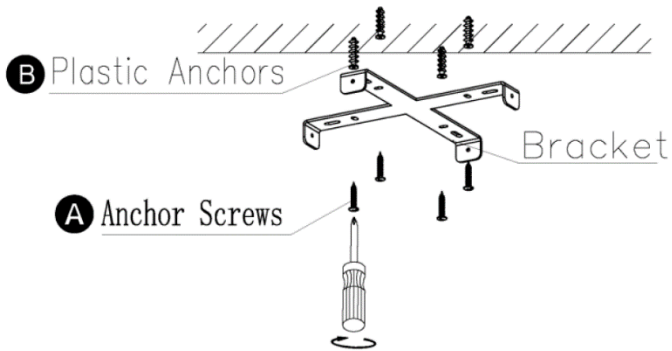
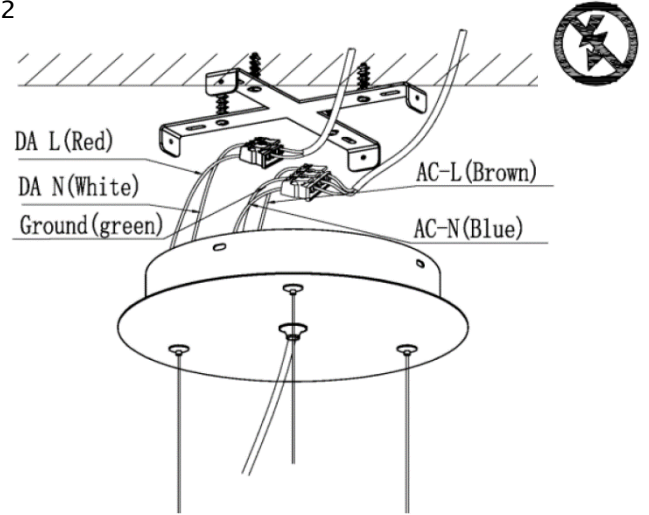


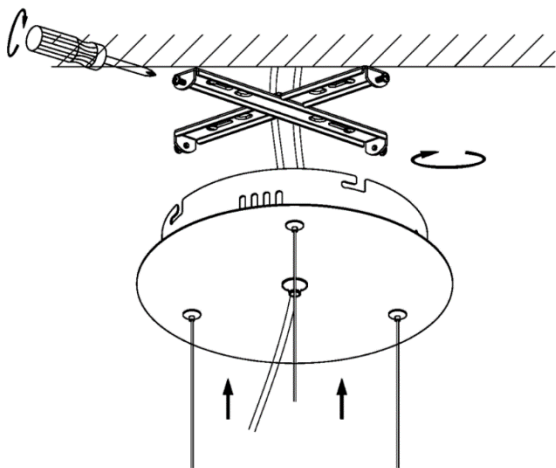
STEP 1



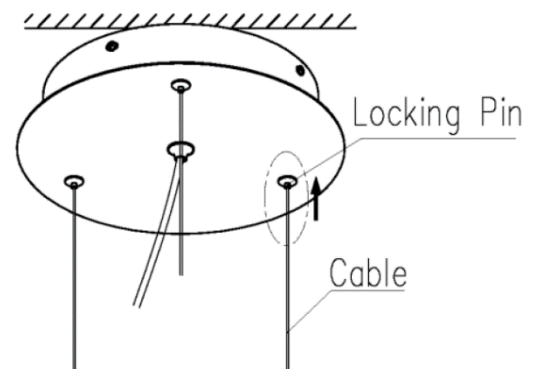
STEP 2



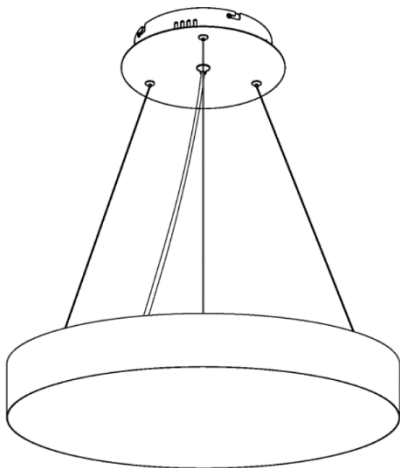
STEP 3



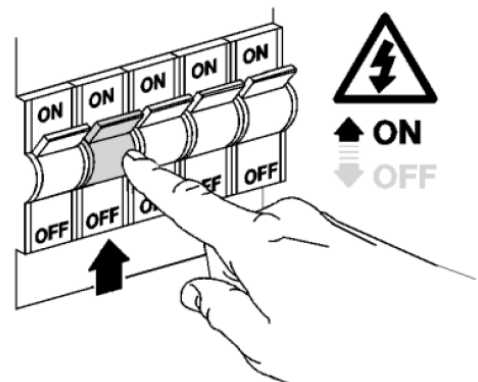
STEP 4



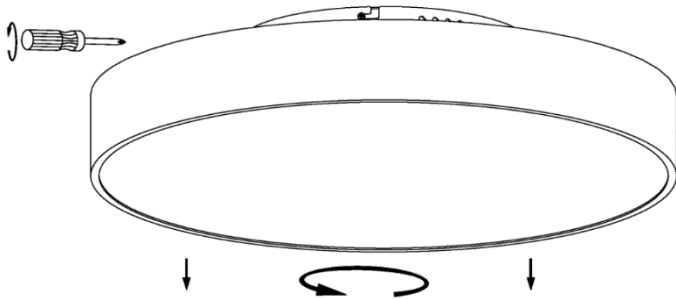
STEP 5



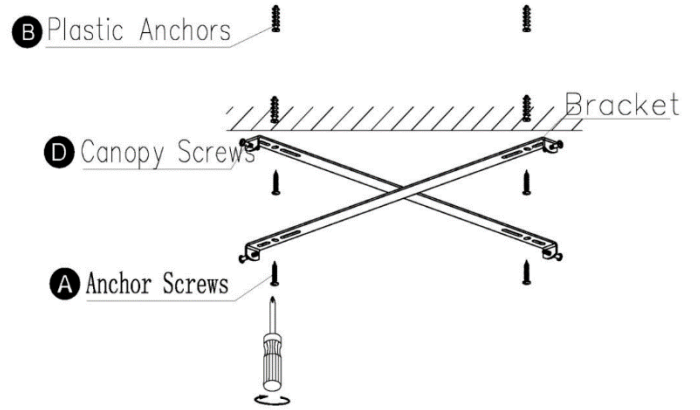
STEP 6



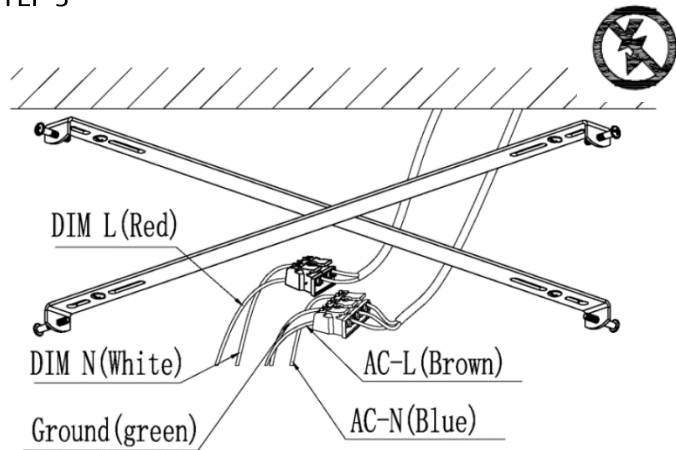
STEP 1



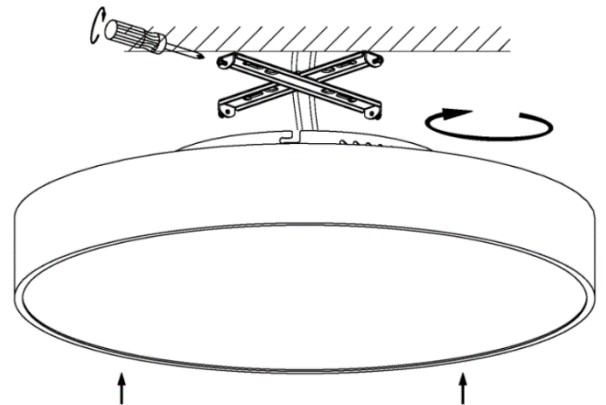
STEP 2



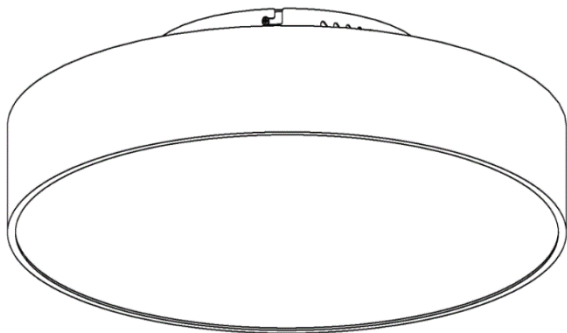
STEP 3



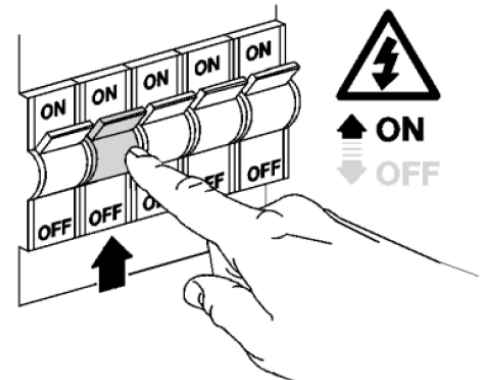
STEP 4



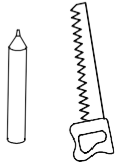
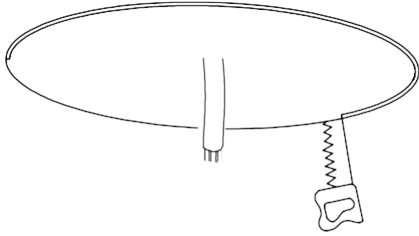
STEP 5



STEP 6

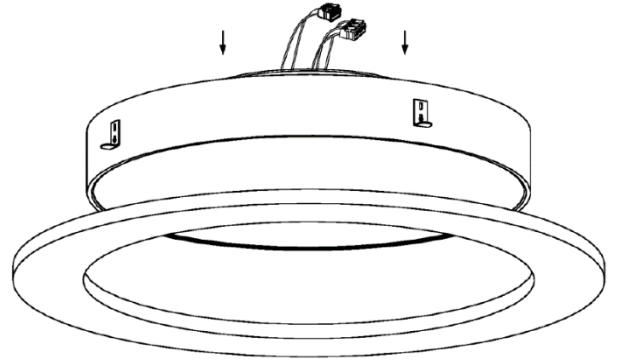


STEP 1

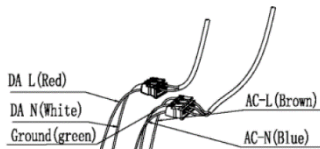


| Model | Cut-Out (mm) |
|--------|--------------|
| D30TR | ø310 |
| D40TR | ø410 |
| D50TR | ø490 |
| D60TR | ø610 |
| D90TR | ø910 |
| D120TR | ø1210 |

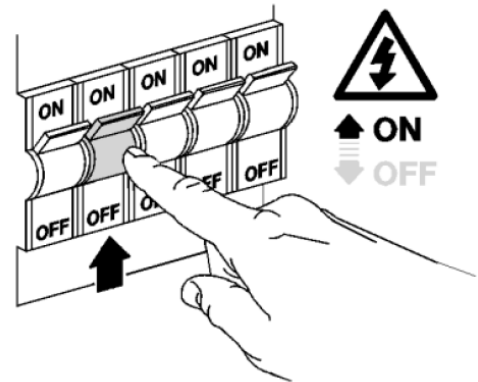
STEP 2



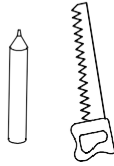
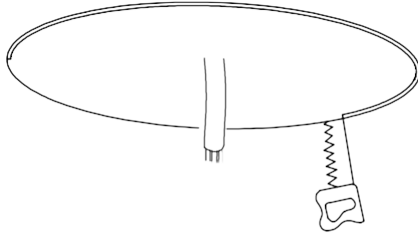
STEP 3



STEP 4

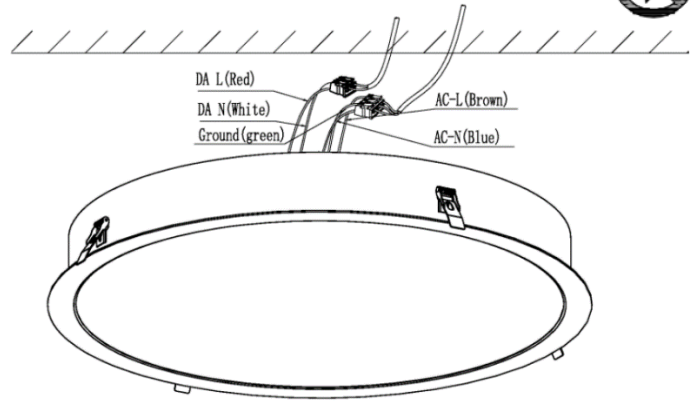


STEP 1

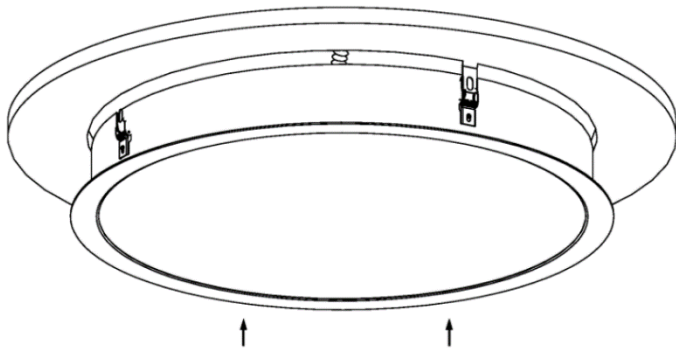


| Model | Cut-Out (mm) |
|-------|--------------|
| D50R | ø495 |
| D60R | ø615 |
| D90R | ø915 |
| D120R | ø1215 |

STEP 2



STEP 3



STEP 4

